

# Bảng thông số sản phẩm

Thông số kỹ thuật



circuit breaker EasyPact CVS100B,  
25 kA at 415 VAC, 16 A rating  
thermal magnetic TM-D trip unit, 3P  
3d

LV510300

## Main

Range of product	EasyPact CVS100...250
Product or component type	Circuit breaker
Device short name	CVS100B
Device application	Distribution
Poles description	3P
Protected poles description	3D
Earth leakage protection (Vigi add on)	Without
[In] rated current	16 A at 40 °C
Breaking capacity code	B
Network type	AC
[Icu] Breaking capacity	40 kA Icu at 220/240 V AC 50/60 Hz conforming to IEC 60947-2 25 kA Icu at 380/415 V AC 50/60 Hz conforming to IEC 60947-2 20 kA Icu at 440 V AC 50/60 Hz conforming to IEC 60947-2
Utilisation category	Category A
Trip unit name	TM-D
Trip unit technology	Thermal-magnetic
Trip unit rating	16 A at 40 °C
Protection type	Short-circuit protection (magnetic) Overload protection (thermal)

## Complementary

Network frequency	50/60 Hz
Control type	Toggle
Mounting mode	Fixed
Mounting support	Backplate
Upside connection	Front
Downside connection	Front
Connections - terminals	Screw connection
[Uimp] rated impulse withstand voltage	8 kV conforming to EN/IEC 60947-2

<b>Thermal protection adjustment range</b>	11.2...16 A
<b>[Ics] rated service breaking capacity</b>	15 kA at 440 V AC 50/60 Hz conforming to IEC 60947-2 25 kA at 380/415 V AC 50/60 Hz conforming to IEC 60947-2 40 kA at 220/240 V AC 50/60 Hz conforming to IEC 60947-2
<b>Mechanical durability</b>	30000 cycles
<b>Electrical durability</b>	12000 cycles 415 V In conforming to IEC 60947-2
<b>Connection pitch</b>	35 mm
<b>Contact position indicator</b>	Yes
<b>Long time pick-up adjustment type Ir</b>	Adjustable
<b>Long time pick-up adjustment range</b>	0.7...1 x In
<b>Long time delay adjustment type</b>	Fixed
<b>Instantaneous pick-up adjustment type li</b>	Fixed
<b>Instantaneous pick-up adjustment range</b>	190 A
<b>Height</b>	161 mm
<b>Width</b>	105 mm
<b>Depth</b>	86 mm
<b>Net weight</b>	1.8 kg

## Environment

<b>Electrical shock protection class</b>	Class II
<b>Standards</b>	IEC 60947-2 EN 60947-2
<b>Product certifications</b>	IEC GOST
<b>IP degree of protection</b>	IP40
<b>Pollution degree</b>	3 conforming to IEC 60664-1
<b>Ambient air temperature for operation</b>	-25...70 °C
<b>Ambient air temperature for storage</b>	-50...85 °C

## Packing Units

<b>Unit Type of Package 1</b>	PCE
<b>Number of Units in Package 1</b>	1
<b>Package 1 Weight</b>	1.71 kg
<b>Package 1 Height</b>	19.0 cm
<b>Package 1 width</b>	11.0 cm
<b>Package 1 Length</b>	14.0 cm
<b>Unit Type of Package 2</b>	S03
<b>Number of Units in Package 2</b>	6
<b>Package 2 Weight</b>	10.68 kg
<b>Package 2 Height</b>	30 cm
<b>Package 2 width</b>	30 cm

---

Package 2 Length	40 cm
------------------	-------

## Offer Sustainability

---

Sustainable offer status	Green Premium product
--------------------------	-----------------------

---

REACH Regulation	<a href="#">REACH Declaration</a>
------------------	-----------------------------------

---

EU RoHS Directive	Compliant <a href="#">EU RoHS Declaration</a>
-------------------	--

---

Mercury free	Yes
--------------	-----

---

RoHS exemption information	Yes
----------------------------	-----

---

China RoHS Regulation	<a href="#">China RoHS declaration</a> Product out of China RoHS scope. Substance declaration for your information
-----------------------	---

---

Environmental Disclosure	<a href="#">Product Environmental Profile</a>
--------------------------	---

---

Circularity Profile	<a href="#">End of Life Information</a>
---------------------	---

---

WEEE	The product must be disposed on European Union markets following specific waste collection and never end up in rubbish bins
------	---

---

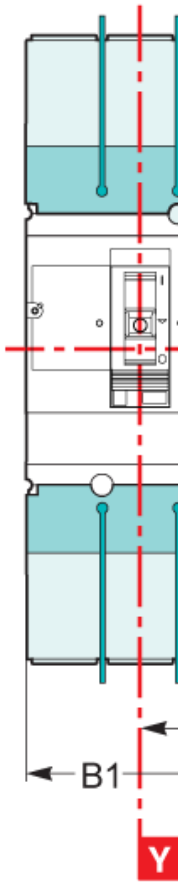
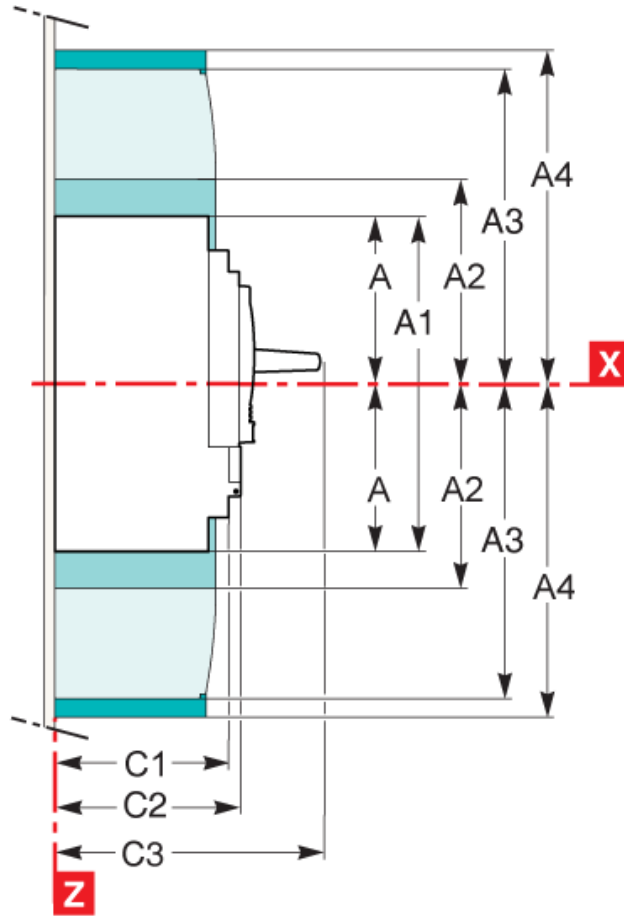
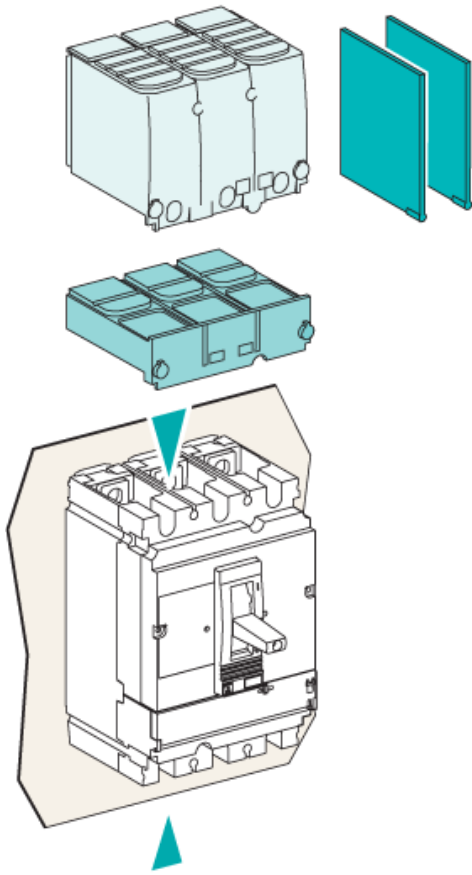
## Contractual warranty

---

Warranty	18 months
----------	-----------

# Bảng thông số sản phẩm LV510300

## Dimensions Drawings

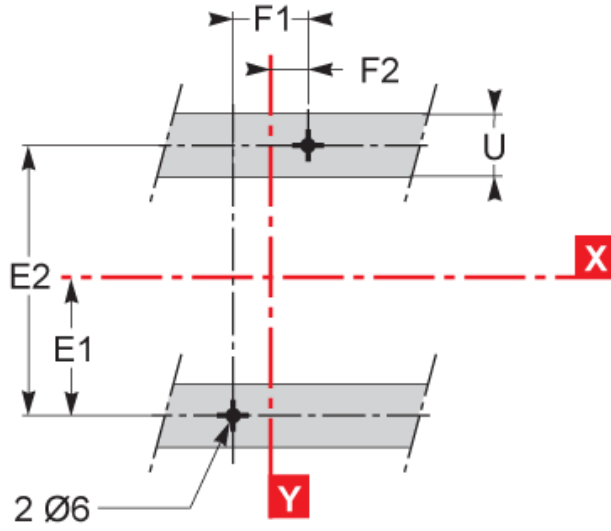
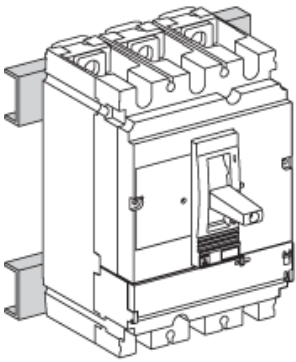
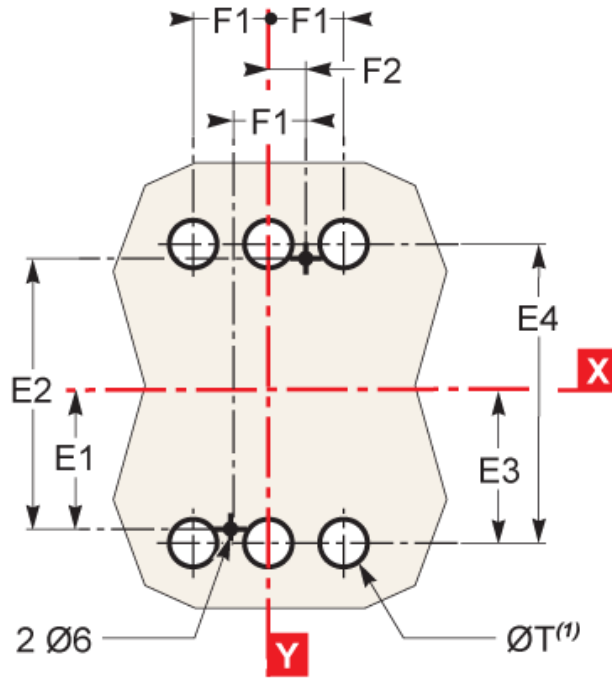
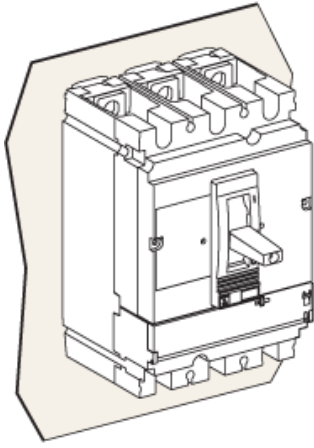


Type	A	A1	A2	A3	A4	A5	A6	A7	A8	A9	B	B1	B2	C1	C2	C3	E1
CVS100/160/250	80.5	161	94	145	178.5	155.5	236	169	220	253.5	52.5	105	140	81	86	111 <sup>(2)</sup>	62.5
CVS400/630	127.5	255	142.5	200	237	227.5	355	242.5	300	337	70	140	185	95.5	110	168	100
Type	E2	E3	E4	E5	E6	E7	E8	F1	F2	F3	G1	G2	G3	G4	G5	ØT	U
CVS100/160/250	125	70	140	137.5	200	145	215	35	17.5	70	96	75	13.5	23	17.5	24	y 32
CVS400/630	200	113.5	227	200	300	213.5	327	45	22.5	90	-	-	-	-	-	32	y 35

(2) C3=126mm for EasyPact CVS250B.F.

# Bảng thông số sản phẩm LV510300

## Assembly



Type	A	A1	A2	A3	A4	A5	A6	A7	A8	A9	B	B1	B2	C1	C2	C3	E1
CVS100/160/250	80.5	161	94	145	178.5	155.5	236	169	220	253.5	52.5	105	140	81	86	111 <sup>(2)</sup>	62.5
CVS400/630	127.5	255	142.5	200	237	227.5	355	242.5	300	337	70	140	185	95.5	110	168	100
Type	E2	E3	E4	E5	E6	E7	E8	F1	F2	F3	G1	G2	G3	G4	G5	ØT	U
CVS100/160/250	125	70	140	137.5	200	145	215	35	17.5	70	66	75	13.5	23	17.5	24	y 32
CVS400/630	200	113.5	227	200	300	213.5	327	45	22.5	90	-	-	-	-	32	y 35	

(2) C3=126mm for EasyPact CVS250B/F.

# Bảng thông số sản phẩm LV510300

## Performance Curves

