

# Product data sheet

Specifications



circuit breaker EasyPact CVS400N,  
50 kA at 415 VAC, 400 A rating ETS  
2.3 electronic trip unit, 3P 3d

LV540510

## Main

Range of product	EasyPact CVS400...630
Product or component type	Circuit breaker
Device short name	CVS400N
Device application	Distribution
Poles description	3P
Protected poles description	3D
Earth leakage protection (Vigi add on)	Without
[In] rated current	400 A at 40 °C
Breaking capacity code	N
Network type	AC
[Icu] Breaking capacity	70 kA Icu at 220/240 V AC 50/60 Hz conforming to IEC 60947-2 50 kA Icu at 380/415 V AC 50/60 Hz conforming to IEC 60947-2 42 kA Icu at 440 V AC 50/60 Hz conforming to IEC 60947-2
Utilisation category	Category A
Trip unit name	ETS 2.3
Trip unit technology	Electronic
Trip unit rating	400 A at 40 °C
Protection type	Short time short-circuit protection Overload protection (long time) Instantaneous short-circuit protection

## Complementary

Network frequency	50/60 Hz
Control type	Toggle
Mounting mode	Fixed
Mounting support	Backplate
Upside connection	Front
Downside connection	Front
Connections - terminals	Screw connection
[Uimp] rated impulse withstand voltage	8 kV conforming to EN/IEC 60947-2

<b>[Ics] rated service breaking capacity</b>	70 kA at 220/240 V AC 50/60 Hz conforming to IEC 60947-2 50 kA at 380/415 V AC 50/60 Hz conforming to IEC 60947-2 32 kA at 440 V AC 50/60 Hz conforming to IEC 60947-2
<b>Mechanical durability</b>	15000 cycles
<b>Electrical durability</b>	6000 cycles 415 V In conforming to IEC 60947-2
<b>Connection pitch</b>	45 mm
<b>Contact position indicator</b>	Yes
<b>Trip unit protection functions</b>	LSol
<b>Long time pick-up adjustment type Ir</b>	Adjustable 9 settings
<b>Long time pick-up adjustment range</b>	160...400 A
<b>Long time delay adjustment type</b>	Fixed
<b>[Tr] long-time delay adjustment range</b>	5.5 s at 7.2 x Ir 8 s at 6 x Ir 200 s at 1.5 x Ir
<b>Thermal memory</b>	Yes
<b>Short-time pick-up adjustment type I<sub>sd</sub></b>	Adjustable 9 settings
<b>[I<sub>sd</sub>] short-time pick-up adjustment range</b>	1.5...10 x Ir
<b>Short-time delay adjustment type</b>	Fixed
<b>Instantaneous pick-up adjustment type I<sub>i</sub></b>	Fixed
<b>Instantaneous pick-up adjustment range</b>	11 x In
<b>Height</b>	255 mm
<b>Width</b>	140 mm
<b>Depth</b>	110 mm
<b>Net weight</b>	4.7 kg

## Environment

<b>Electrical shock protection class</b>	Class II
<b>Standards</b>	EN 60947-2 IEC 60947-2
<b>Product certifications</b>	IEC GOST
<b>IP degree of protection</b>	IP40
<b>Pollution degree</b>	3 conforming to IEC 60664-1
<b>Ambient air temperature for operation</b>	-25...70 °C
<b>Ambient air temperature for storage</b>	-50...85 °C

## Packing Units

<b>Unit Type of Package 1</b>	PCE
<b>Number of Units in Package 1</b>	1
<b>Package 1 Weight</b>	5.151 kg
<b>Package 1 Height</b>	15.262 cm

Package 1 width	15.794 cm
Package 1 Length	29.215 cm
Unit Type of Package 2	CAR
Number of Units in Package 2	3
Package 2 Weight	16.781 kg
Package 2 Height	23.0 cm
Package 2 width	38.3 cm
Package 2 Length	50.8 cm
Unit Type of Package 3	PAL
Number of Units in Package 3	48
Package 3 Weight	282840.0 g
Package 3 Height	90.0 cm
Package 3 width	80.0 cm
Package 3 Length	120.0 cm

## Offer Sustainability

Sustainable offer status	Green Premium product
REACH Regulation	<a href="#">REACH Declaration</a>
EU RoHS Directive	Compliant <a href="#">EU RoHS Declaration</a>
Mercury free	Yes
RoHS exemption information	Yes
China RoHS Regulation	<a href="#">China RoHS declaration</a> Product out of China RoHS scope. Substance declaration for your information
Environmental Disclosure	<a href="#">Product Environmental Profile</a>
Circularity Profile	<a href="#">End of Life Information</a>
WEEE	The product must be disposed on European Union markets following specific waste collection and never end up in rubbish bins

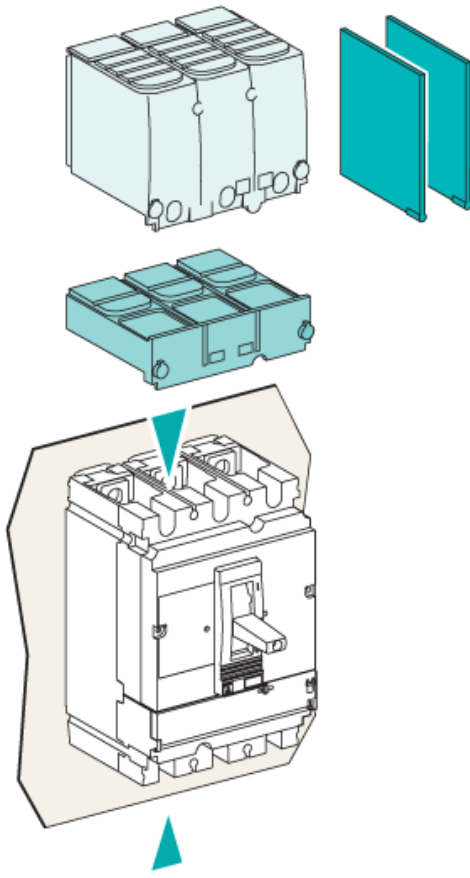
## Contractual warranty

Warranty	18 months
----------	-----------

# Product data sheet

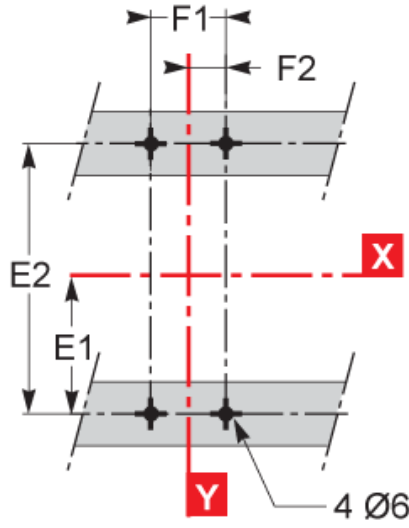
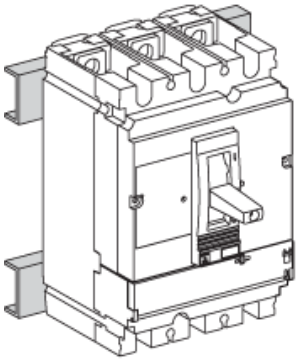
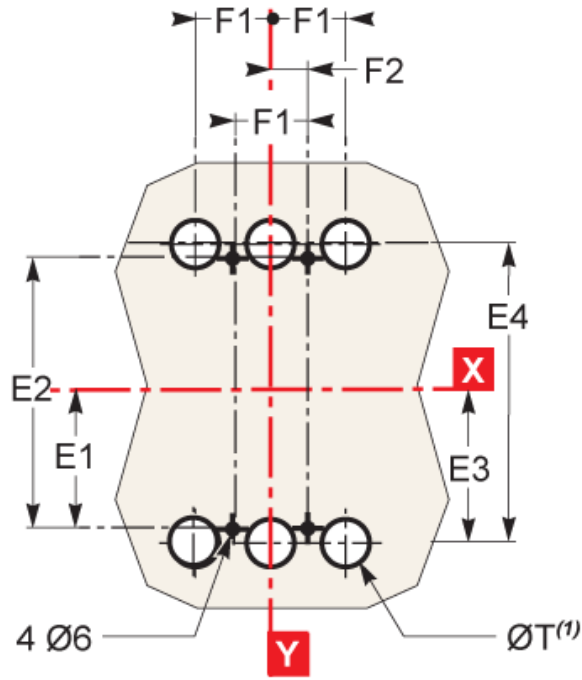
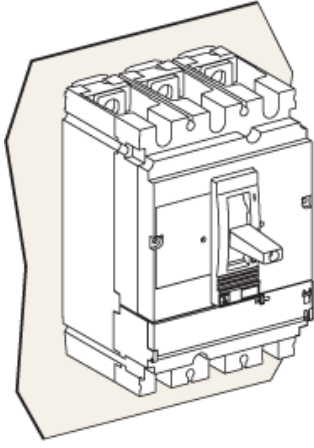
## Dimensions Drawings

# LV540510



Type	A	A1	A2	A3	A4	A5	A6	A7	A8	A9	B	B1	B2	C1	C2	C3	E1
CVS100/160/250	80.5	161	94	145	178.5	155.5	236	169	220	253.5	52.5	105	140	81	86	111 <sup>(2)</sup>	62.5
CVS400/630	127.5	255	142.5	200	237	227.5	355	242.5	300	337	70	140	185	95.5	110	168	100
Type	E2	E3	E4	E5	E6	E7	E8	F1	F2	F3	G1	G2	G3	G4	G5	G7	U
CVS100/160/250	125	70	140	137.5	200	145	215	35	17.5	70	96	75	13.5	23	17.5	24	y 32
CVS400/630	200	113.5	227	200	300	213.5	327	45	22.5	90	-	-	-	-	-	32	y 35

(2) C3=126mm for EasyPact CVS250B.F.



Type	A	A1	A2	A3	A4	A5	A6	A7	A8	A9	B	B1	B2	C1	C2	C3	E1
CVS100/160/250	80.5	161	84	145	178.5	155.5	236	169	220	253.5	52.5	105	140	81	86	111 <sup>(2)</sup>	62.5
CVS400/630	127.5	255	142.5	200	237	227.5	355	242.5	300	337	70	140	185	95.5	110	168	100
Type	E2	E3	E4	E5	E6	E7	E8	F1	F2	F3	G1	G2	G3	G4	G5	ØT	U
CVS100/160/250	125	70	140	137.5	200	145	215	35	17.5	70	96	75	13.5	23	17.5	24	y 32
CVS400/630	200	113.5	227	200	300	213.5	327	45	22.5	90	-	-	-	-	-	32	y 35

(2) C3=126mm for EasyPact CVS250B/F.

