

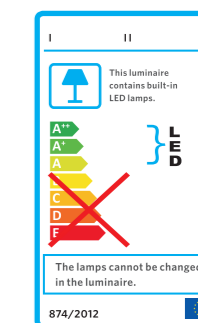


LED Spotlight Track Utility II

Technical Specifications	
CRI	80
Colour Consistency (SDCM)	≤6
Dimmable	No
Housing Colour	White,Black
IP	IP20
IK	/
Driver integrated (Yes/No)	Yes
Glow wire test	650°C
Driver failure rate	5% at 50000h
Weight (pc/kg)	0.275/0.275/0.434

Electrical Supply	
Frequency (Hz)	50/60
Voltage (V)	220-240
AC/DC	AC
Mechanical Properties	
Housing Material	Aluminium Alloy
Optical Material	PC
Application Conditions	
Operating Temperature	-10~45°C
Application Temperature	25°C
Storage Environment	-25~50°C

CE CB



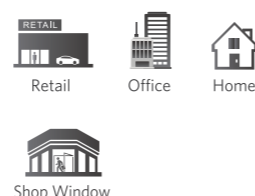
Features

- Easy to install
- Long lifespan
- Clean beam angle
- Flexible to highlight objects

Benefits

- High quality and economical COB chips with optical reflector provides clean light beam
- Better heat control in a classic outlook
- Flexible adjustment horizontally and vertically
- Easy and safe installation design for DIY

Application




Specification

Item Code	Item Description	Power (W)	Power Factor	Lumen (lm)	Efficacy (lm/W)	Input Current (mA)	Lifetime (L70B50)	MOQ (pcs)
541001040500	LEDspotTR-UII 10W-3000-24D-BK-GP	10	0.9	630	63	90	20000	480
541001042400	LEDspotTR-UII 10W-4000-24D-BK-GP	10	0.9	630	63	90	20000	480
541001042500	LEDspotTR-UII 10W-5700-24D-BK-GP	10	0.9	630	63	90	20000	480
541001042600	LEDspotTR-UII 10W-3000-24D-WH-GP	10	0.9	630	63	90	20000	480
541001042700	LEDspotTR-UII 10W-4000-24D-WH-GP	10	0.9	630	63	90	20000	480
541001042800	LEDspotTR-UII 10W-5700-24D-WH-GP	10	0.9	630	63	90	20000	480
541001042900	LEDspotTR-UII 20W-3000-24D-BK-GP	20	0.9	1260	63	180	20000	480
541001043000	LEDspotTR-UII 20W-4000-24D-BK-GP	20	0.9	1260	63	180	20000	480
541001043100	LEDspotTR-UII 20W-5700-24D-BK-GP	20	0.9	1260	63	180	20000	480
541001043200	LEDspotTR-UII 20W-3000-24D-WH-GP	20	0.9	1260	63	180	20000	480
541001043300	LEDspotTR-UII 20W-4000-24D-WH-GP	20	0.9	1260	63	180	20000	480
541001043400	LEDspotTR-UII 20W-5700-24D-WH-GP	20	0.9	1260	63	180	20000	480
541001043510	LEDspotTR-UII 30W-3000-24D-BK-GP	30	0.9	2250	75	150	20000	480
541001043610	LEDspotTR-UII 30W-4000-24D-BK-GP	30	0.9	2250	75	150	20000	480
541001043700	LEDspotTR-UII 30W-5700-24D-BK-GP	30	0.9	2250	75	150	20000	480
541001043810	LEDspotTR-UII 30W-3000-24D-WH-GP	30	0.9	2250	75	150	20000	480
541001043910	LEDspotTR-UII 30W-4000-24D-WH-GP	30	0.9	2250	75	150	20000	480
541001044000	LEDspotTR-UII 30W-5700-24D-WH-GP	30	0.9	2250	75	150	20000	480

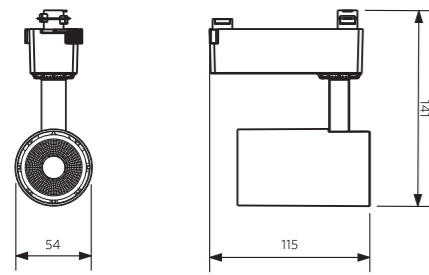
Packaging Information

Item Code	Item Description	Single Box(1pc/box)		Outer box		
		Dimensions(mm) (LxWxH)	Gross Weight (kg)	Dimensions(mm) (LxWxH)	Gross Weight (kg)	Packing Qty (pcs/CTN)
541001040500	LEDspotTR-UII 10W-3000-24D-BK-GP	113*55*187	0.443	325*255*315	8.86	20
541001042400	LEDspotTR-UII 10W-4000-24D-BK-GP	113*55*187	0.443	325*255*315	8.86	20
541001042500	LEDspotTR-UII 10W-5700-24D-BK-GP	113*55*187	0.443	325*255*315	8.86	20
541001042600	LEDspotTR-UII 10W-3000-24D-WH-GP	113*55*187	0.443	325*255*315	8.86	20
541001042700	LEDspotTR-UII 10W-4000-24D-WH-GP	113*55*187	0.443	325*255*315	8.86	20
541001042800	LEDspotTR-UII 10W-5700-24D-WH-GP	113*55*187	0.443	325*255*315	8.86	20
541001042900	LEDspotTR-UII 20W-3000-24D-BK-GP	113*55*187	0.443	325*255*315	8.86	20
541001043000	LEDspotTR-UII 20W-4000-24D-BK-GP	113*55*187	0.443	325*255*315	8.86	20
541001043100	LEDspotTR-UII 20W-5700-24D-BK-GP	113*55*187	0.443	325*255*315	8.86	20
541001043200	LEDspotTR-UII 20W-3000-24D-WH-GP	113*55*187	0.443	325*255*315	8.86	20
541001043300	LEDspotTR-UII 20W-4000-24D-WH-GP	113*55*187	0.443	325*255*315	8.86	20
541001043400	LEDspotTR-UII 20W-5700-24D-WH-GP	113*55*187	0.443	325*255*315	8.86	20
541001043510	LEDspotTR-UII 30W-3000-24D-BK-GP	113*80*187	0.699	440*365*195	8.388	12
541001043610	LEDspotTR-UII 30W-4000-24D-BK-GP	113*80*187	0.699	440*365*195	8.388	12
541001043700	LEDspotTR-UII 30W-5700-24D-BK-GP	113*80*187	0.699	440*365*195	8.388	12
541001043810	LEDspotTR-UII 30W-3000-24D-WH-GP	113*80*187	0.699	440*365*195	8.388	12
541001043910	LEDspotTR-UII 30W-4000-24D-WH-GP	113*80*187	0.699	440*365*195	8.388	12
541001044000	LEDspotTR-UII 30W-5700-24D-WH-GP	113*80*187	0.699	440*365*195	8.388	12

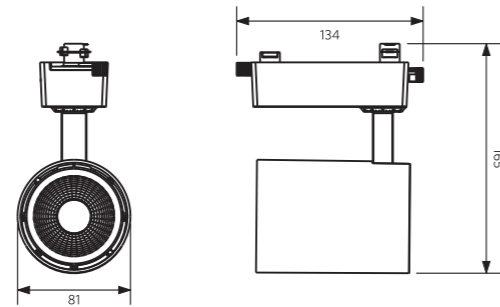
Accessory information

Accessories		Length(mm)	Weight(pc/kg)	MOQ (pcs)	Picture
140001813	LG310/WH/C	100	White	100	
140001814	LG310/BK/C	100	Black	100	
140001815	LG315/WH/C	150	White	100	
140001816	LG315/BK/C	150	Black	100	
140001817	LG320/WH/C	200	White	100	
140001818	LG320/BK/C	200	Black	100	
140001825	3LGB/I/WH	/	White	100	
140001826	3LGB/I/BK	/	Black	100	
140001821	3LGB/L/WH	/	White	100	
140001822	3LGB/L/BK	/	Black	100	
140001823	3LGB/T/WH	/	White	100	
140001824	3LGB/T/BK	/	Black	100	
140001819	3LGB+/WH	/	White	100	
140001820	3LGB+/BK	/	Black	100	

Dimensional Drawing

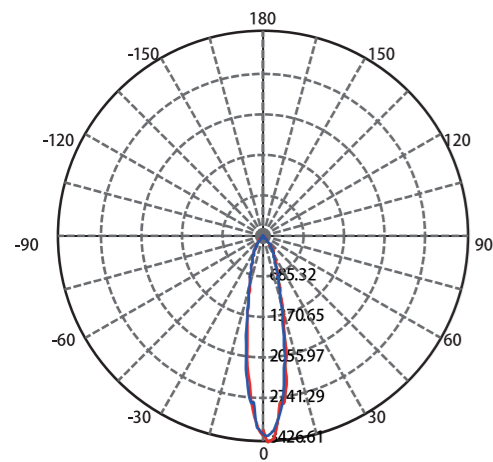


10W 20W



30W

Photometric Data



10W 20W 30W