



LV HRC fuse element, NH000, In: 63 A, gG, Un AC: 500 V, Un DC: 250 V, Front indicator, live grip lugs

Model	
product brand name	SENTRON
product designation	LV HRC fuse link
design of the product	With blade contacts
design of an identification indicator	Front indicators
design of the switching contact	Non-corroding, silver-plated
design of the fuse link	LV HRC fuse link
General technical data	
size of fuse system according to EN 60269-1	NH000
operating class of the fuse link	gG
mounting type	non-insulated grip lugs
type of voltage of the operating voltage	AC/DC
supply voltage	
• at AC rated value	500 V
• at DC	250 V
Protection class	
protection class IP	IP20, with connected conductors
Switching capacity	
switching capacity current	
• at DC according to IEC 60947-2 rated value	25 kA
• according to IEC 60947-2 rated value	120 kA
Dissipation	
power loss [W]	4.6 W
power loss [W] for rated value of the current at AC in hot operating state per pole	4.6 W
Current	
operational current	
• at 30 °C rated value	61.74 A
• at 40 °C rated value	59.85 A
• at 45 °C rated value	57.96 A
• at 50 °C rated value	56.7 A
• at 55 °C rated value	55.44 A
• at 60 °C rated value	54.18 A
• at AC rated value	63 A
Mechanical Design	
width of the enclosure	21 mm
mounting position	Any, preferably vertical
net weight	129 g
Environmental conditions	
ambient temperature during operation	

- minimum
- maximum

environmental category
environmental category during storage

-5 °C
40 °C
-20 to +50 at 95% relative humidity
90% at 20°C

General Product Approval

Declaration of Conformity



[Confirmation](#)



Test Certificates

Marine / Shipping

other

[Miscellaneous](#)

[Type Test Certificates/Test Report](#)

[Special Test Certificate](#)



[Environmental Conformations](#)

[Miscellaneous](#)

other

[Miscellaneous](#)

Further information

Information- and Downloadcenter (Catalogs, Brochures,...)

<http://www.siemens.com/lowvoltage/catalogs>

Industry Mall (Online ordering system)

<https://mall.industry.siemens.com/mall/en/en/Catalog/product?mlfb=3NA3822>

Service&Support (Manuals, Certificates, Characteristics, FAQs,...)

<https://support.industry.siemens.com/cs/ww/en/ps/3NA3822>

Image database (product images, 2D dimension drawings, 3D models, device circuit diagrams, ...)

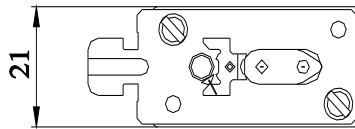
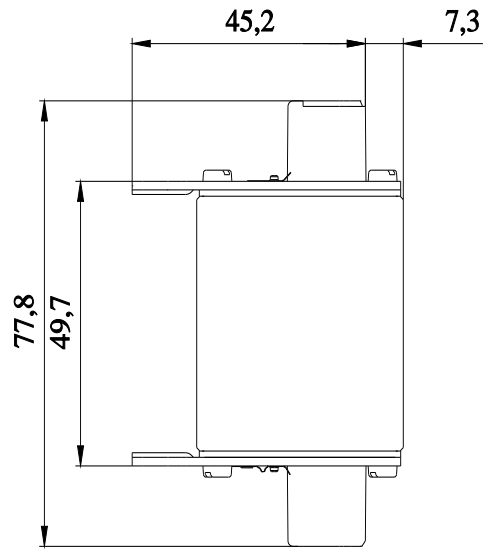
http://www.automation.siemens.com/bilddb/cax_en.aspx?mlfb=3NA3822

CAx-Online-Generator

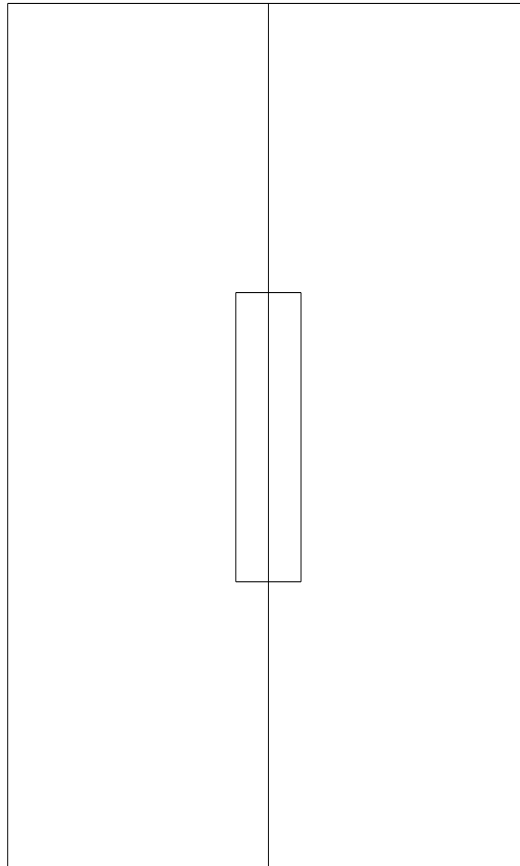
<http://www.siemens.com/cax>

Tender specifications

<http://www.siemens.com/specifications>



F



FU

