



circuit breaker 3VA1 IEC frame 160 breaking capacity class N Icu=25kA @ 415V 2-pole, line protection TM210, FTFM, In=160A overload protection Ir=160A fixed short-circuit protection Ii=10 x In clamp connection

| Model | |
|---|-----------------------------|
| product brand name | SENTRON |
| product designation | Molded case circuit breaker |
| Product version | Line protection |
| design of the overcurrent release | TM210 |
| protection function of the overcurrent release | LI |
| number of poles | 2 |
| General technical data | |
| insulation voltage / rated value | 500 V |
| Max. rated operational voltage Ue with DC | 250 V |
| operating voltage / at AC / rated value | 415 V |
| power loss [W] / maximum | 25.34 W |
| mechanical service life (operating cycles) / typical | 20 000 |
| Electrical endurance (switching cycles) / at AC-1 / at 380/415 V 50/60 Hz | 9 000 |
| Electrical endurance (switching cycles) / at AC-1 / at 690 V 50/60 Hz | 6 300 |
| product feature / for neutral conductors / upgradable/retrofitable / short-circuit and overload proof | No |
| ground-fault monitoring version | Without |
| product function | |
| • communication function | No |
| • other measurement function | No |
| Net Weight | 758 g |
| Current | |
| operational current | |
| • at 40 °C | 160 A |
| • at 45 °C | 160 A |
| • at 50 °C | 160 A |
| • at 55 °C | 158 A |
| • at 60 °C | 155 A |
| • at 65 °C | 153 A |
| • at 70 °C | 150 A |
| Switching capacity according to IEC 60947 | |
| switching capacity class of the circuit breaker | N |
| maximum short-circuit current breaking capacity (Icu) | |
| • at 240 V | 36 kA |
| • at 415 V | 25 kA |
| operating short-circuit current breaking capacity (Ics) | |
| • at 240 V | 36 kA |
| • at 415 V | 25 kA |
| short-circuit current making capacity (Icm) | |

| | |
|--|--|
| <ul style="list-style-type: none"> • at 240 V • at 415 V | 75.6 kA 52.5 kA |
| design of short-circuit protection | For switching power values in DC networks, see the 3VA molded case circuit breaker device manual; link to be found under Service & Support in the last chapter |

Adjustable parameters

| | |
|---|---------|
| product feature / for L-tripping / can be switched on/off | No |
| adjustable response value setting current (I _r) / of the L-trip / with I _{2t} characteristic / minimum | 160 A |
| adjustable response value setting current (I _r) / of the L-trip / with I _{2t} characteristic / maximum | 160 A |
| adjustable response value delay time (t _r) / for L-tripping / with I _{2t} characteristic / minimum | 1 s |
| adjustable response value delay time (t _r) / for L-tripping / with I _{2t} characteristic / maximum | 1 s |
| adjustable response value setting current (I _i) / for I-tripping / minimum | 1 600 A |
| adjustable response value setting current (I _i) / for I-tripping / maximum | 1 600 A |
| adjustable absolute value setting current (I _{nN}) / for N-tripping / minimum | 0 A |
| adjustable absolute value setting current (I _{nN}) / for N-tripping / maximum | 0 A |
| Ground fault protection / tripping switchable / I _{2t} =ON/OFF | No |

Mechanical Design

| | |
|---|---------------------------------|
| product component | |
| <ul style="list-style-type: none"> • undervoltage release • voltage trigger • trip indicator | No No No |
| height [in] | 5.12 in |
| Height | 130 mm |
| width [in] | 2 in |
| type of connectable conductor cross-sections / of the round conductor terminal / stranded | 1 x (1,5 - 70 mm ²) |
| Width | 50.8 mm |
| depth [in] | 2.76 in |
| depth | 70 mm |

Connections

| | |
|---|----------------------------|
| arrangement of electrical connectors / for main current circuit | Front terminal |
| type of electrical connection / for main current circuit | box terminal on both sides |
| design of the surface / of the connections / on the top of the switch (N, 1, 3, 5) | Silver |
| design of the surface / of the connections / on the bottom of the switch (N, 2, 4, 6) | Tin |

Auxiliary circuit

| | |
|--|---|
| number of CO contacts / for auxiliary contacts | 0 |
|--|---|

Accessories

| | |
|--|----|
| product extension / optional / motor drive | No |
|--|----|

Environmental conditions

| | |
|--|------------------------------------|
| protection class IP / on the front | IP40 |
| ambient temperature | |
| <ul style="list-style-type: none"> • during operation / minimum • during operation / maximum • during storage / minimum • during storage / maximum | -25 °C 70 °C -40 °C 80 °C |

Certificates

| | |
|---|---|
| reference code / according to IEC 81346-2 | Q |
|---|---|

General Product Approval



[Confirmation](#)



[Miscellaneous](#)

[KC](#)



| EMC | Declaration of Conformity | Test Certificates | | |
|-----|---------------------------|-------------------|--|--|
|-----|---------------------------|-------------------|--|--|



[Type Test Certificates/Test Report](#)

[Miscellaneous](#)

[Special Test Certificate](#)

| Marine / Shipping | other | | | |
|-------------------|-------|--|--|--|
|-------------------|-------|--|--|--|



[CCS / China Classification Society](#)

[Miscellaneous](#)

[Environmental Conformations](#)

[Miscellaneous](#)

Further information

Information- and Downloadcenter (Catalogs, Brochures,...)

<http://www.siemens.com/lowvoltage/catalogs>

Industry Mall (Online ordering system)

<https://mall.industry.siemens.com/mall/en/en/Catalog/product?mlfb=3VA1116-3ED26-0AA0>

Service&Support (Manuals, Certificates, Characteristics, FAQs,...)

<https://support.industry.siemens.com/cs/ww/en/ps/3VA1116-3ED26-0AA0>

Image database (product images, 2D dimension drawings, 3D models, device circuit diagrams, ...)

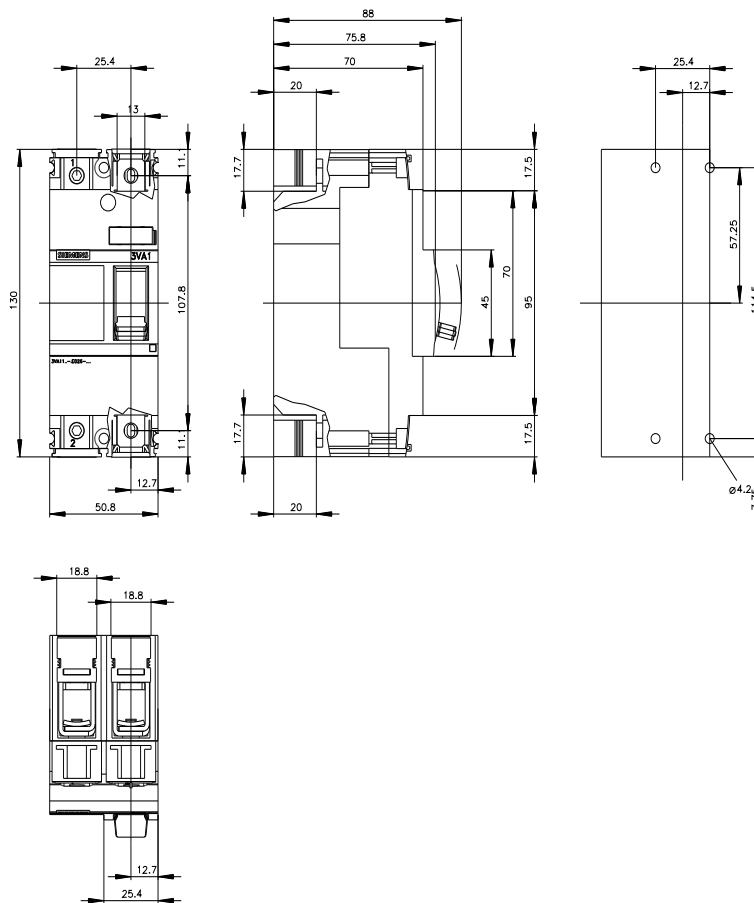
http://www.automation.siemens.com/bilddb/cax_en.aspx?mlfb=3VA1116-3ED26-0AA0

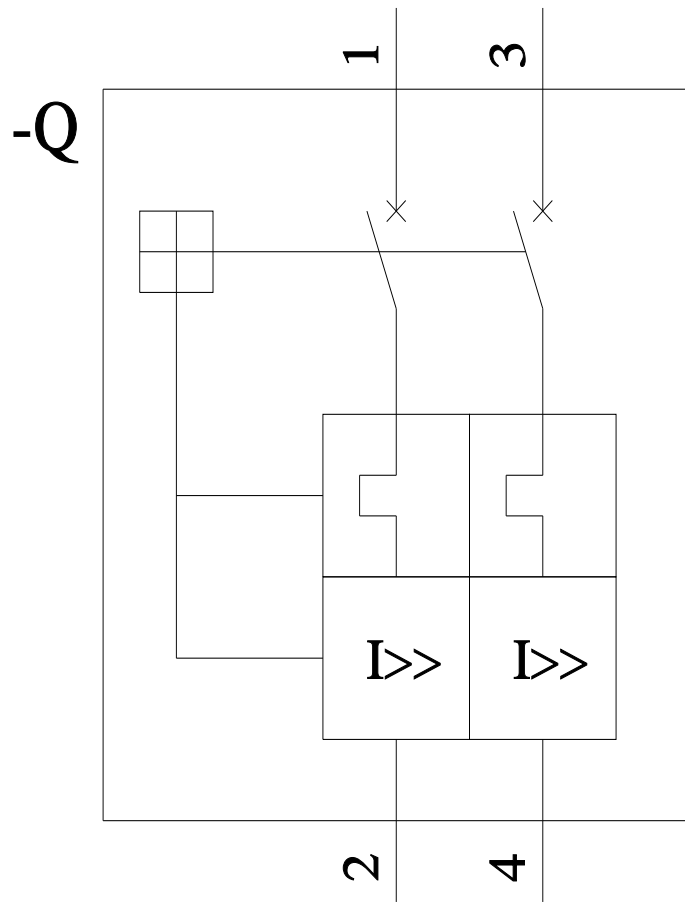
CAx-Online-Generator

<http://www.siemens.com/cax>

Tender specifications

<http://www.siemens.com/specifications>





last modified:

6/24/2022 

