

Product datasheet

Specifications



round pilot light Ø 22 - yellow - integral LED - 380 V AC- screw clamp terminals

XA2EVFD1LC

! Discontinued on: 16 June 2021

! To be end-of-service on: 16 August 2023

! Discontinued

Main

| | |
|------------------------------|------------------------|
| Range of product | Harmony Easy XA2 |
| Product or component type | Monolithic pilot light |
| Device short name | XA2 |
| Mounting diameter | 22 mm |
| Shape of signaling unit head | Round |
| Cap/Operator or lens colour | White |
| Light source | LED |
| Bulb base | Integral LED |
| [Us] rated supply voltage | 110 V DC 50/60 Hz |

Complementary

| | |
|--|---|
| Terminals description ISO n°1 | (X1-X2)PL |
| Device mounting | Fixing hole 22.3 +0.4/0 conforming to EN/IEC 60947-5-1 |
| Fixing center | >= 30 x 40 mm (support panel) metal - thickness: 1...6 mm >= 30 x 40 mm (support panel) plastic - thickness: 2...6 mm |
| Fixing mode | Fixing nut beneath head recommended torque: 2.2 N.m (+/- 0.2 N.m) |
| Marking | CE CCC |
| Connections - terminals | Screw clamp terminals, <= 2 x 1.5 mm ² with cable end conforming to EN/IEC 60947-1 Screw clamp terminals, 1 x 0.5...1 x 2.5 mm ² without cable end conforming to EN/IEC 60947-1 |
| Tightening torque | 0.8...1 N.m conforming to EN 60947-1 |
| Shape of screw head | Cross compatible with JIS No 1 screwdriver Cross compatible with Philips no 1 screwdriver Cross compatible with pozidriv No 1 screwdriver Slotted compatible with flat Ø 4 mm screwdriver Slotted compatible with flat Ø 5.5 mm screwdriver |
| [Ui] rated insulation voltage | 250 V (pollution degree 3) conforming to EN/IEC 60947-1 |
| [Uimp] rated impulse withstand voltage | 6 kV conforming to EN/IEC 60947-1 |
| Signalling type | Steady |
| Supply voltage limits | 0.8...1.2 V DC |
| Current consumption | <= 20 mA |

| | |
|---------------------|------------------------------------|
| Service life | 40000 h at rated voltage and 25 °C |
| Height | 29 mm |
| Width | 29 mm |
| Depth | 53 mm |
| Net weight | 0.02 kg |

Environment

| | |
|--|---|
| Ambient air temperature for storage | -40...70 °C |
| Ambient air temperature for operation | -25...70 °C |
| Overvoltage category | Class I conforming to IEC 536 |
| Standards | IEC 60947-5-1 GB 14048.5 IEC 60947-1 GB 14048.1 |
| Product certifications | CCC CE |
| Vibration resistance | 5 gn (f= 12...500 Hz) conforming to IEC 60068-2-6 |
| Shock resistance | 30 gn (duration = 11 ms) for half sine wave acceleration conforming to IEC 60068-2-27 |

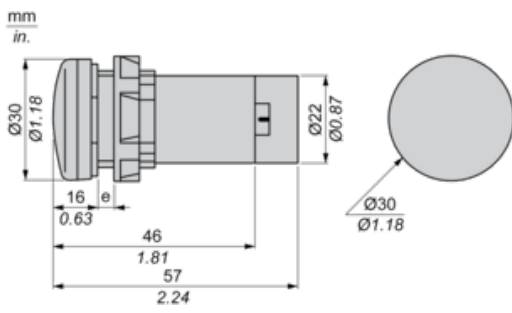
Packing Units

| | |
|-------------------------------------|--------|
| Unit Type of Package 1 | PCE |
| Number of Units in Package 1 | 1 |
| Package 1 Height | 2.9 cm |
| Package 1 Width | 2.9 cm |
| Package 1 Length | 5.3 cm |
| Package 1 Weight | 21.6 g |

Offer Sustainability

| | |
|-----------------------------------|---|
| Sustainable offer status | Green Premium product |
| REACH Regulation | REACH Declaration |
| REACH free of SVHC | Yes |
| EU RoHS Directive | Pro-active compliance (Product out of EU RoHS legal scope) EU RoHS Declaration |
| Toxic heavy metal free | Yes |
| Mercury free | Yes |
| RoHS exemption information | Yes |
| China RoHS Regulation | China RoHS declaration |
| Environmental Disclosure | Product Environmental Profile |
| Circularity Profile | End of Life Information |
| WEEE | The product must be disposed on European Union markets following specific waste collection and never end up in rubbish bins |

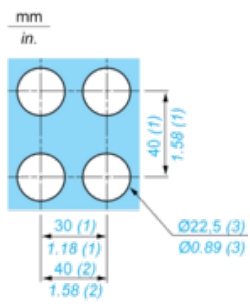
Dimensions



e Support panel thickness: 1 to 6 mm/0.4 to 0.24 in. (metal), 2 to 6 mm/0.8 to 0.24 in. (plastic).

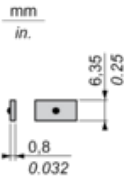
Mounting

Diameter of Finished Fixing Holes



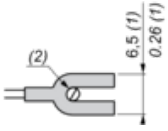
- (1) Minimum value.
- (2) 40 mm/1.58 in. for Emergency switching off pushbutton only.
- (3) Standard value: Ø 22.3 (0; + 0.4) mm/Ø 0.88 (0; + 0.02) in.

Faston Clip Connection



“U” Type Tag Connection

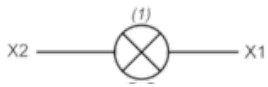
mm
in.



(1) 6.5 mm/0.26 in. recommended, 7 mm/0.28 in. max.

(2) M3 screw clamp terminal.

Wiring Diagram



(1) LED

Recommended replacement(s)

XA2EVFD1LC is replaced by:

1x



round pilot light Ø 22 - white - integral LED - 110 V AC - screw clamp terminals
XA2EVF1LC
