



LED Streetlight EQ Series

Features

- Wide applicable voltage
- Surge protection up to 6KV(60W)
- Optimal heat management
- High lumen output, anti-glare
- IP65 protection rating

Benefits

- No dark spaces, excellent light effect
- Safe for outdoor use, weather resistant
- Up to 60% energy saving comparing to HPS streetlight
- Long life, low maintenance cost

Application



Specification

Item Code	Item Description	Power (W)	Power Factor	Lumen (lm)	Efficacy (lm/W)	CCT (K)	Lifetime (L70B50)	MOQ (pcs)
140058466	LEDStreetlight-EQ 20W-3000-150+70D-GY-GP	20	0.95	1840	92	3000	30000	102
140058467	LEDStreetlight-EQ 20W-4000-150+70D-GY-GP	20	0.95	1960	98	4000	30000	102
140058462	LEDStreetlight-EQ 20W-5700-150+70D-GY-GP	20	0.95	2000	100	5700	30000	102
140058463	LEDStreetlight-EQ 40W-3000-150+70D-GY-GP	40	0.95	3680	92	3000	30000	102
140058465	LEDStreetlight-EQ 40W-4000-150+70D-GY-GP	40	0.95	3920	98	4000	30000	102
140058464	LEDStreetlight-EQ 40W-5700-150+70D-GY-GP	40	0.95	4000	100	5700	30000	102
140066457	LEDStreetlight-EQ 60W-3000-150+70D-GY-GP	60	0.95	7000	117	3000	30000	102
140066458	LEDStreetlight-EQ 60W-4000-150+70D-GY-GP	60	0.95	7000	117	4000	30000	102
140066459	LEDStreetlight-EQ 60W-5700-150+70D-GY-GP	60	0.95	7500	125	5700	30000	102

Technical Specifications

CRI	≥80(20W&40 W) ≥70(60W)
Colour Consistency (SDCM)	7
Dimmable	No
Beam Angle (°)	150+70
Housing Colour	Grey
IP	IP65
Driver integrated (Yes/No)	Yes
Glow wire test	650°C
Weight (kg/pc)	1.222

Electrical Supply

Frequency (Hz)	50/60
Voltage (V)	220-240
AC/DC	AC

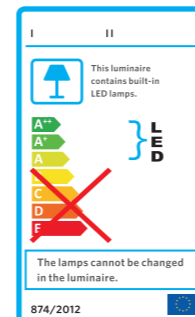
Mechanical Properties

Housing Material	Die-cast Aiuminum
Optical Material	PC

Application Conditions

Operating Temperature	-35-50°C
Storage Environment	-35-65°C

CB



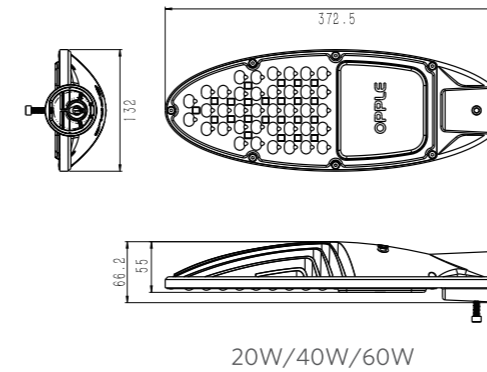
Packaging Information

Item Code	Item Description	Single Box(1pc/box)		Packaging Unit		
		Dimensions(mm) (LxWxH)	Gross Weight (kg)	Dimensions(mm) (LxWxH)	Gross Weight (kg)	Packing Qty (pcs/unit)
140058466	LEDStreetlight-EQ 20W-3000-150+70D-GY-GP	391*140*86	1.49	414*302*282	8.96	6
140058467	LEDStreetlight-EQ 20W-4000-150+70D-GY-GP	391*140*86	1.49	414*302*282	8.96	6
140058462	LEDStreetlight-EQ 20W-5700-150+70D-GY-GP	391*140*86	1.49	414*302*282	8.96	6
140058463	LEDStreetlight-EQ 40W-3000-150+70D-GY-GP	391*140*86	1.49	414*302*282	8.96	6
140058465	LEDStreetlight-EQ 40W-4000-150+70D-GY-GP	391*140*86	1.49	414*302*282	8.96	6
140058464	LEDStreetlight-EQ 40W-5700-150+70D-GY-GP	391*140*86	1.49	414*302*282	8.96	6
140066457	LEDStreetlight-EQ 60W-3000-150+70D-GY-GP	391*140*86	1.49	414*302*282	8.96	6
140066458	LEDStreetlight-EQ 60W-4000-150+70D-GY-GP	391*140*86	1.49	414*302*282	8.96	6
140066459	LEDStreetlight-EQ 60W-5700-150+70D-GY-GP	391*140*86	1.49	414*302*282	8.96	6



Item Code	Accessories	Weight(kg/pc)	MOQ(pcs)	Picture
54309800710	streetlight wall-mounting accessory	1.77	150	
543098016110	LEDStreet-SE-Wall-Bracket-IBU	0.90	150	

Dimensional Drawing



Photometric Data

