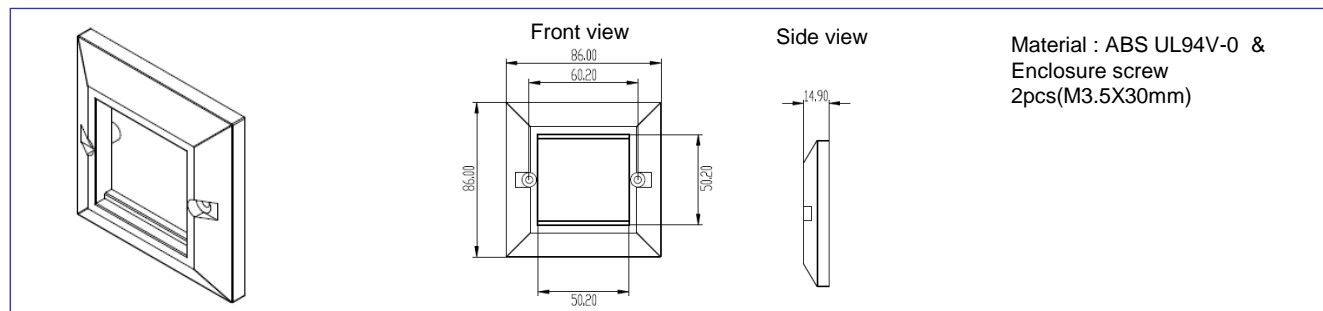


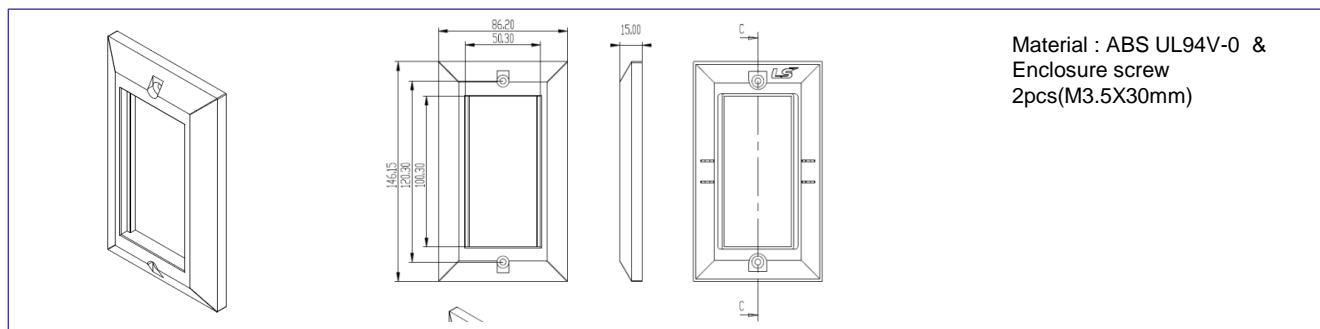
DS CODE:
5001

LS Simple™ Outlet Solution

Euro Mode Faceplate Beveled type

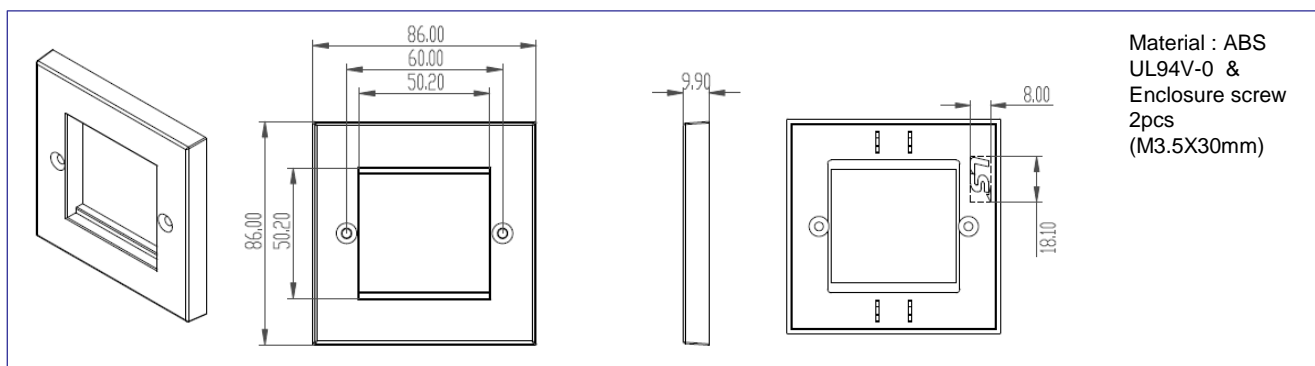


Description	Part Numbers	Compatible Items
Euro Mode Faceplate Beveled type (H86mm)	LS-FP-EU-BF-2	Modular Jack:LS-MJ-EU-UC5E-xx,LS-EU-UC6-xx Blank Bezel: LS-FP-BB-1/2, LS-FP-BB-1/4 Back Box: LS-BB-8686-37,LS-BB-8686-27



Description	Part Numbers	Compatible Items
Euro Mode Faceplate Beveled type (H146mm)	LS-FP-EU-BF-4	Modular Jack: LS-MJ-EU-UC5E-xx,LS-EU-UC6-xx Blank Bezel: LS-FP-BB-1/2, LS-FP-BB-1/4 BACK BOX:LS-BB-86147-37,LS-BB-86147-27

Euro Mode Faceplate Flat type

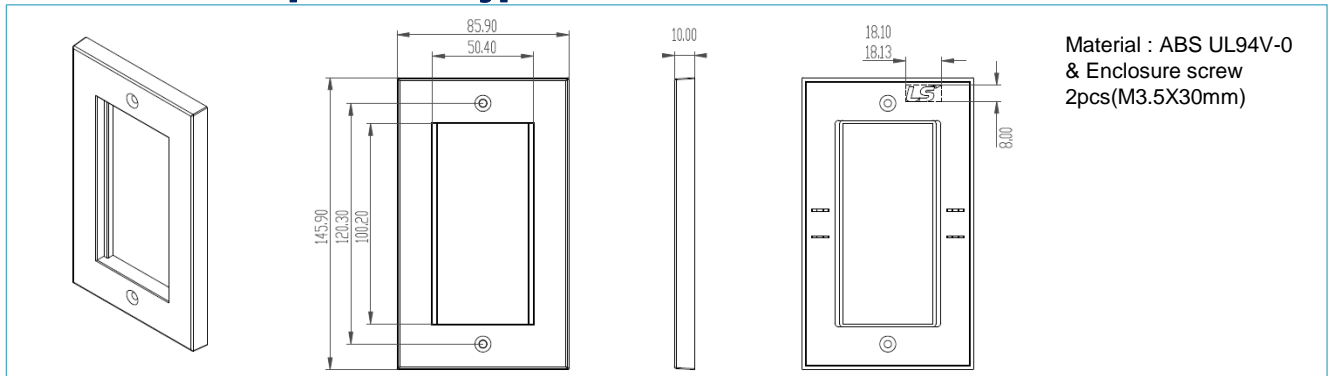


Description	Part Numbers	Compatible Items
Euro Mode Faceplate Flat type (H86mm)	LS-FP-EU-FF-2	Modular Jack: LS-MJ-EU-UC5E-xx, LS-MJ-EU-UC6-xx Blank Bezel: LS-FP-BB-1/2, LS-FP-BB-1/4 Back Box:LS-BB-8686-37,LS-BB-8686-27

DS CODE:
5001

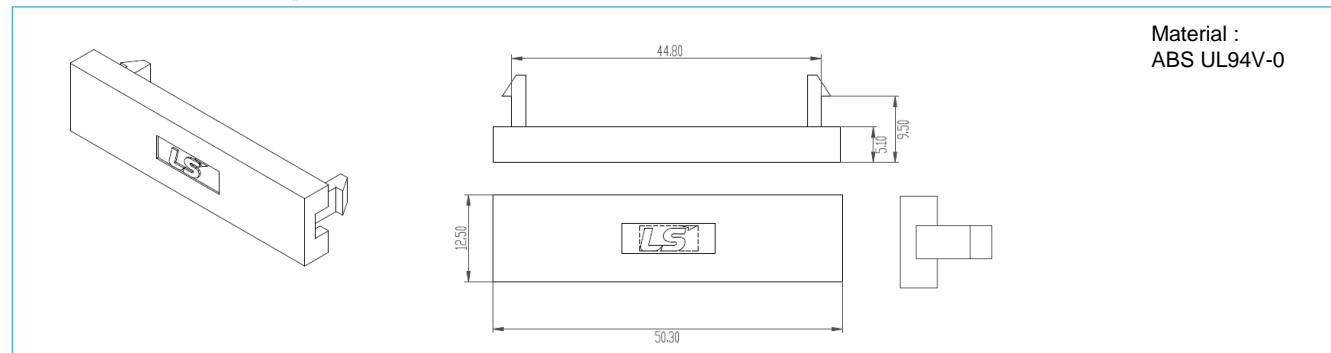
LS Simple™ Outlet Solution

Euro Mode Faceplate Flat type

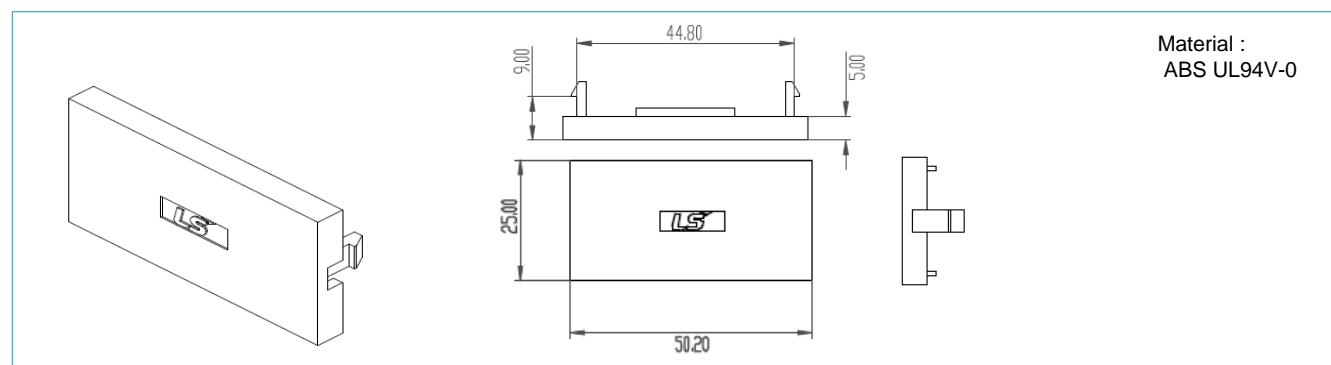


Description	Part Numbers	Compatible Items
Euro Mode Faceplate Flat type (H146mm)	LS-FP-EU-FF-4	Modular Jack: LS-MJ-EU-UC5E-xx, LS-MJ-EU-UC6-xx Blank Bezel: LS-FP-BB-1/2, LS-FP-BB-1/4 Back Box:LS-BB-86147-37,LS-BB-86147-27

Euro Mode Faceplate Blank Bezel



Description	Part Numbers	Compatible Items
Euro Mode Faceplate Blank Bezel, 1/4	LS-FP-EU-BB-1/4	Faceplate : Euro Mode series

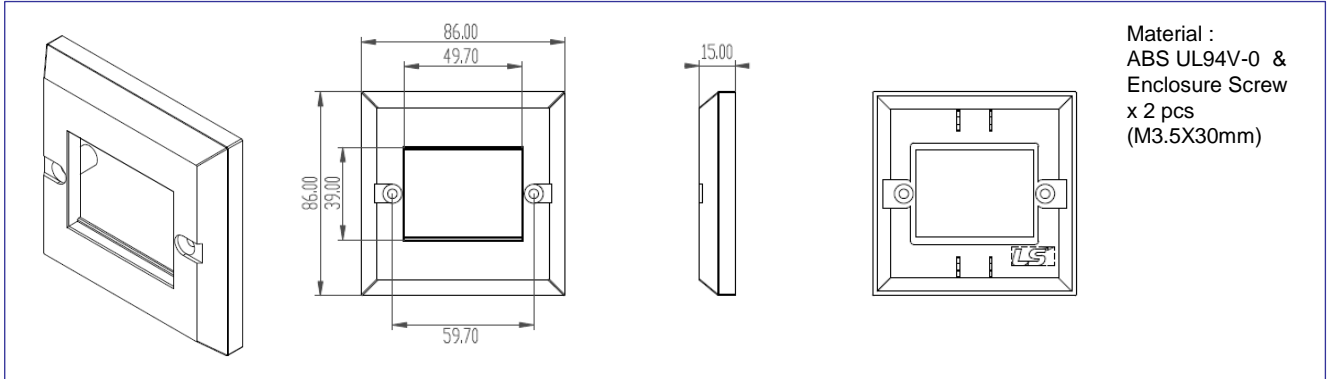


Description	Part Numbers	Compatible Items
Euro Mode Face plate Blank Bezel, 1/2	LS-FP-EU-BB-1/2	Faceplate : Euro Mode series

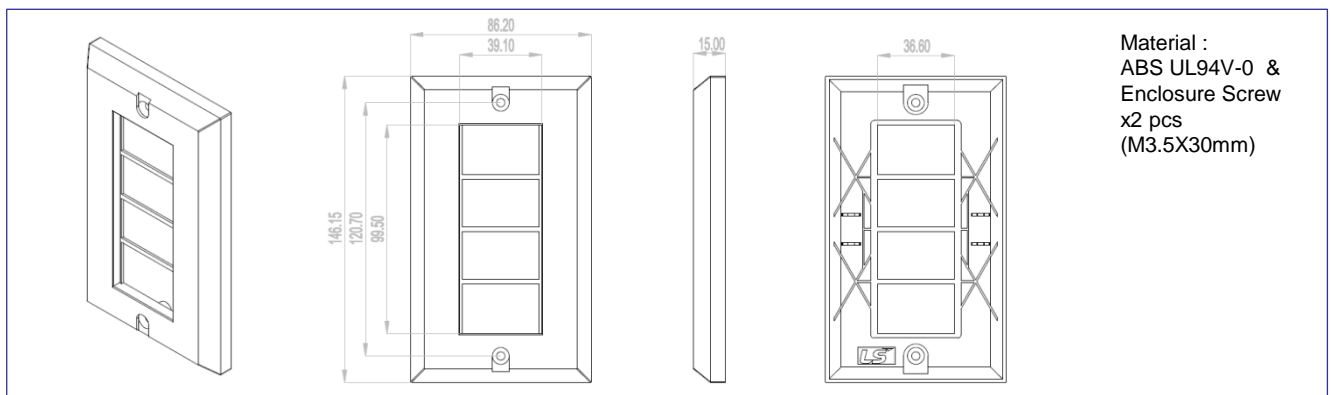
DS CODE:
5001

LS Simple™ Outlet Solution

6C type Faceplate

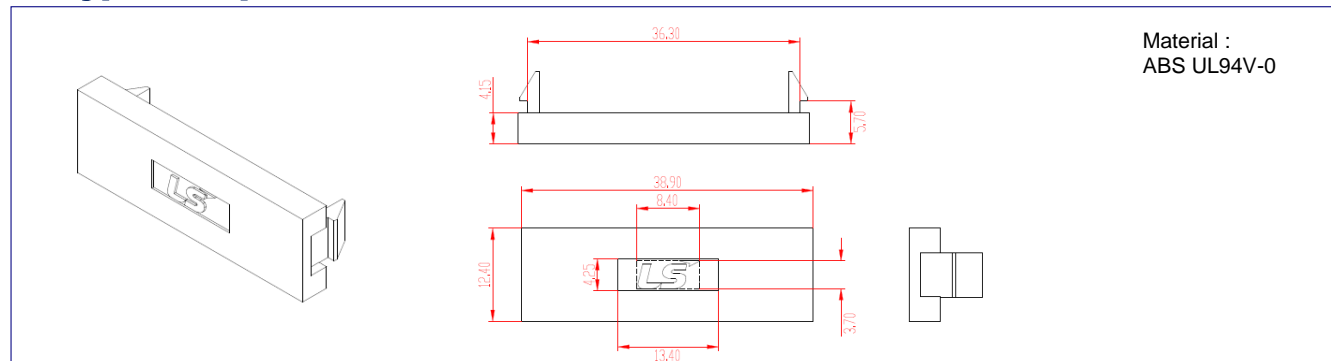


Description	Part Numbers	Compatible Items
2-Port 6C type Faceplate	LS-FP-6C-BF-2	Modular Jack: LS-MJ-6C-UC5E-xx ,LS-MJ-6C-UC6-xx Back Box:LS-BB-8686-37,LS-BB-8686-27



Description	Part Numbers	Compatible Items
4-Port 6C type Faceplate	LS-FP-6C-BF-4	Modular Jack: LS-MJ-6C-UC5E-xx ,LS-MJ-6C-UC6-xx Back Box:LS-BB-86147-37,LS-BB-86147-27

6C type Faceplate Blank Bezel

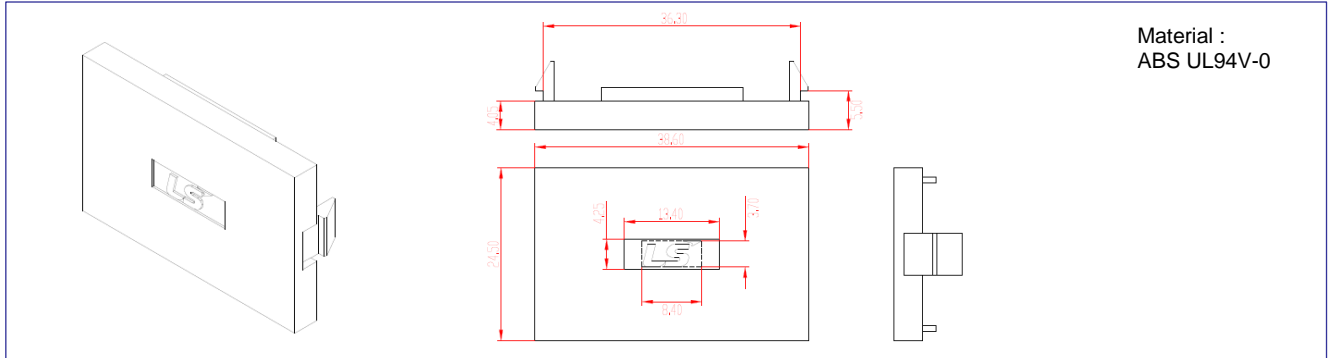


Description	Part Numbers	Compatible Items
6C Faceplate Blank Bezel, 1/4	LS-FP-6C-BB-1/4	Faceplate : 6C type series

DS CODE:
5001

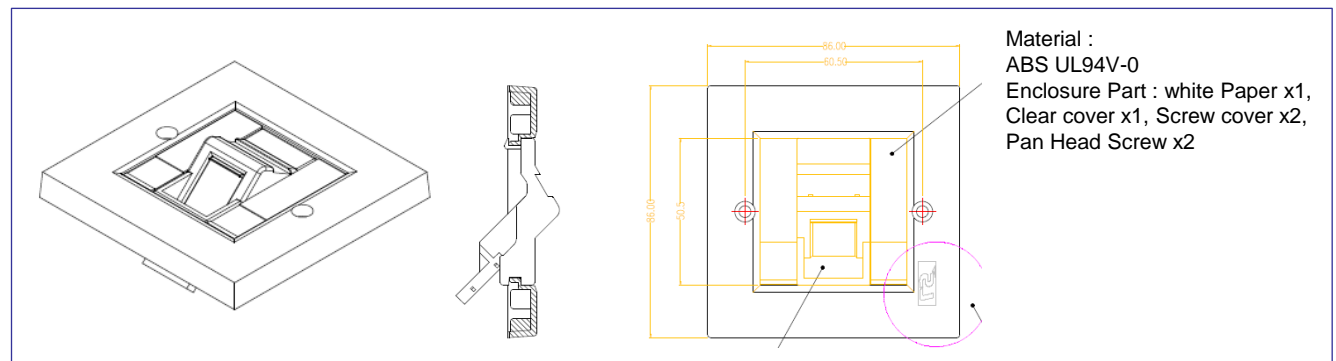
LS Simple™ Outlet Solution

6C type Faceplate Blank Bezel

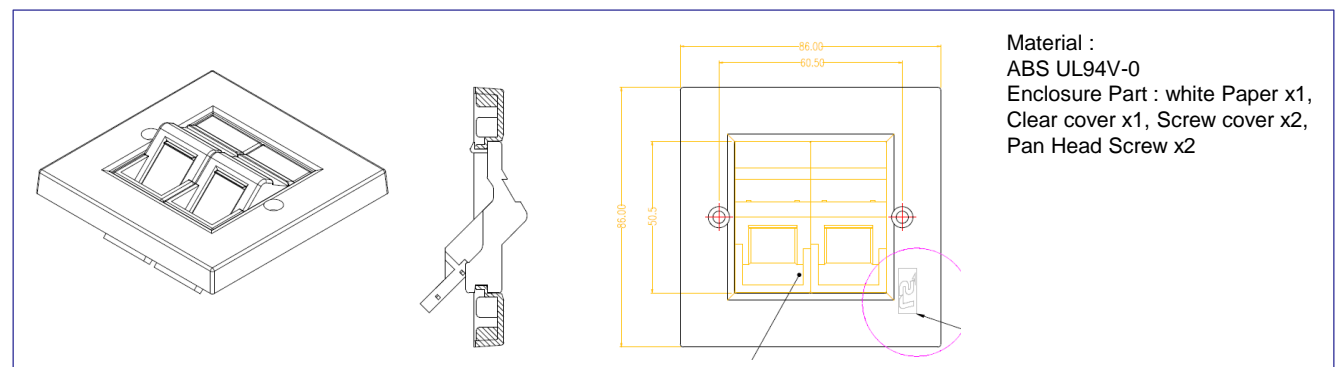


Description	Part Numbers	Compatible Items
6C Faceplate Blank Bezel, 1/2	LS-FP-6C-BB-1/2	Faceplate : 6C type series

Euro Mode Faceplate with Angled Shutter Bezel



Description	Part Numbers	Compatible Items
1-Port Euro Mode Faceplate with Angled Shutter Bezel	LS-FP-SA-1	Back Box:LS-BB-8686-37,LS-BB-8686-27

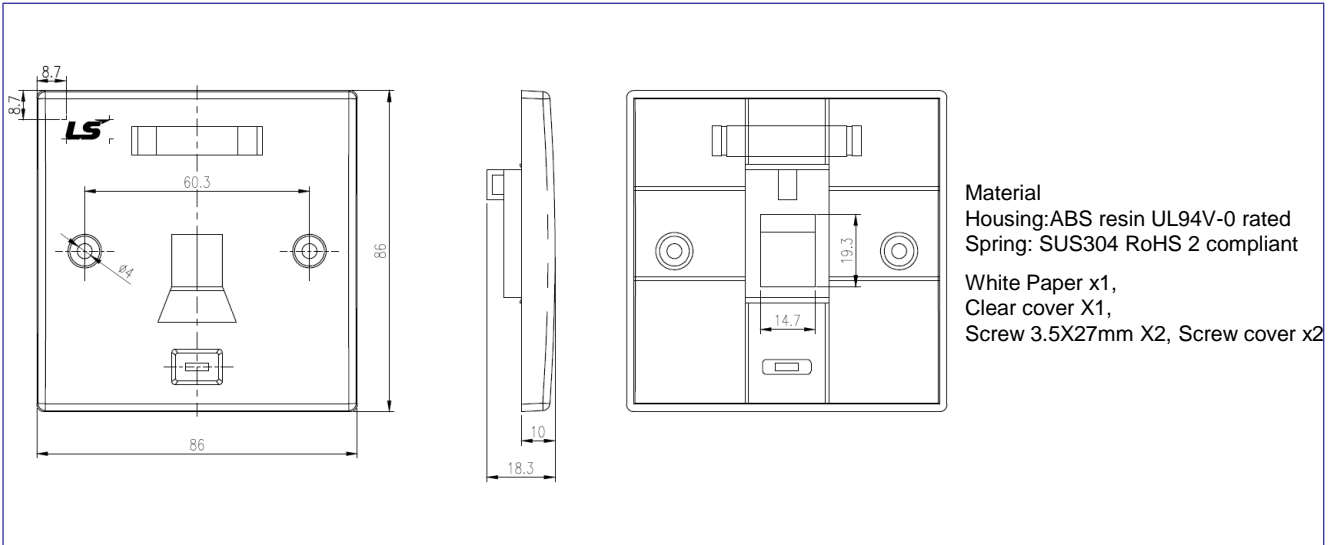


Description	Part Numbers	Compatible Items
2-Port Euro Mode Faceplate with Angled Shutter Bezel	LS-FP-SA-2	Back Box:LS-BB-8686-37,LS-BB-8686-27

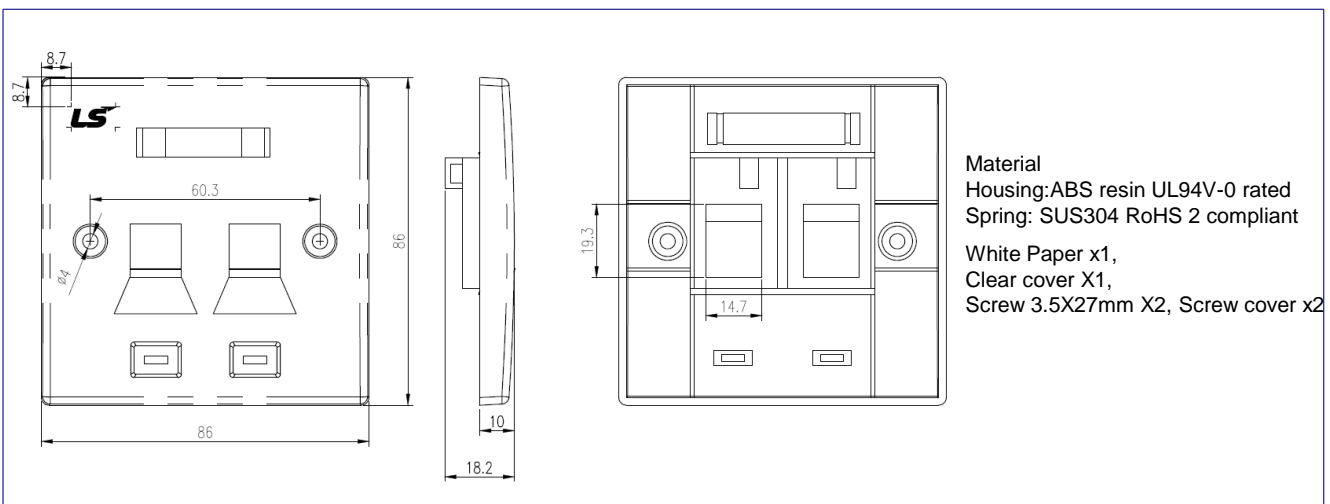
DS CODE:
5001

LS Simple™ Outlet Solution

British type Single Gang Faceplate with shutter



Description	Part Numbers	Compatible Items
1-Port Single Gang British Face plate with shutter	LS-FP-SU-1	Back Box:LS-BB-8686-37,LS-BB-8686-27

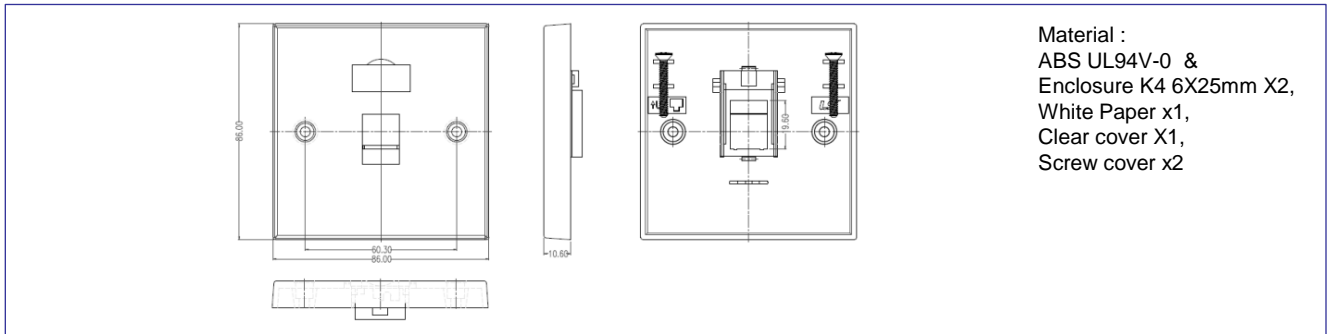


Description	Part Numbers	Compatible Items
2-Port Single Gang British Face plate with shutter	LS-FP-SU-2	Back Box:LS-BB-8686-37,LS-BB-8686-27

DS CODE:
5001

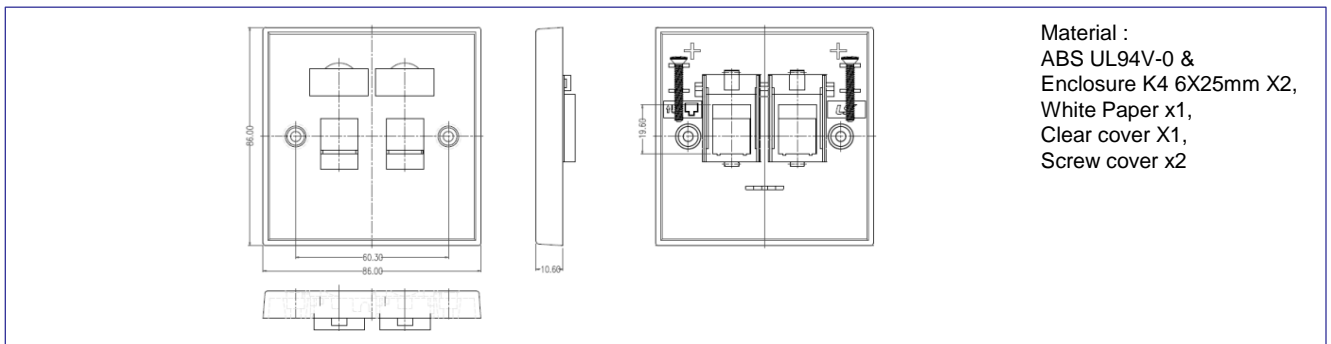
LS Simple™ Outlet Solution

British Faceplate with Shutter & Icon



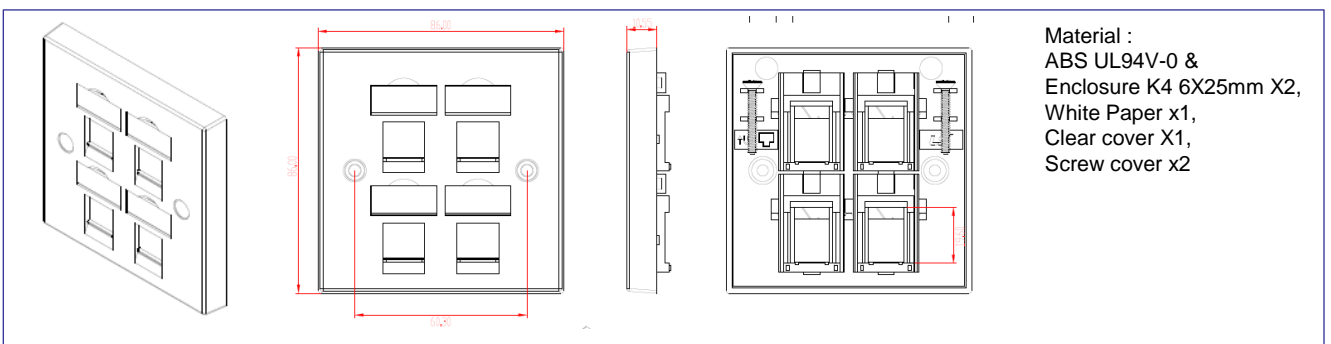
Material :
ABS UL94V-0 &
Enclosure K4 6X25mm X2,
White Paper x1,
Clear cover X1,
Screw cover x2

Description	Part Numbers	Compatible Items
1-Port British Face plate with shutter & Icon	LS-FP-SF-1	Back Box:LS-BB-8686-37,LS-BB-8686-27



Material :
ABS UL94V-0 &
Enclosure K4 6X25mm X2,
White Paper x1,
Clear cover X1,
Screw cover x2

Description	Part Numbers	Compatible Items
2-Port British Face plate with shutter & Icon	LS-FP-SF-2	Back Box:LS-BB-8686-37,LS-BB-8686-27



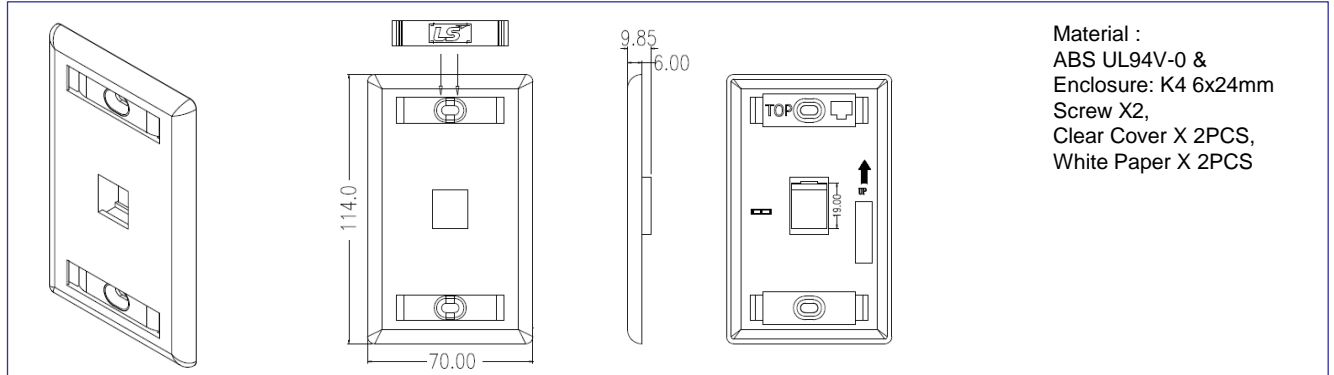
Material :
ABS UL94V-0 &
Enclosure K4 6X25mm X2,
White Paper x1,
Clear cover X1,
Screw cover x2

Description	Part Numbers	Compatible items
4-Port British Face plate with shutter & Icon	LS-FP-SF-4	Back Box:LS-BB-8686-37,LS-BB-8686-27

DS CODE:
5001

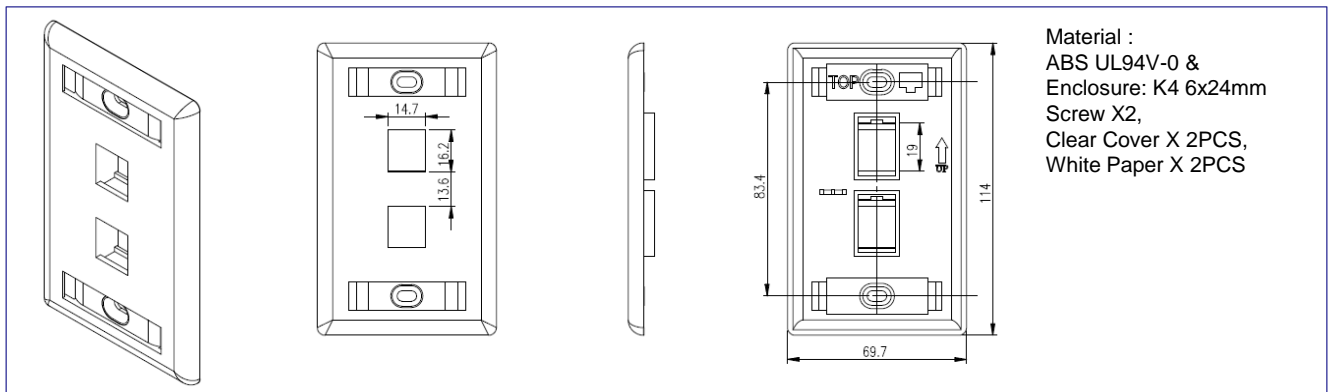
LS Simple™ Outlet Solution

US type Single Gang Face Plate



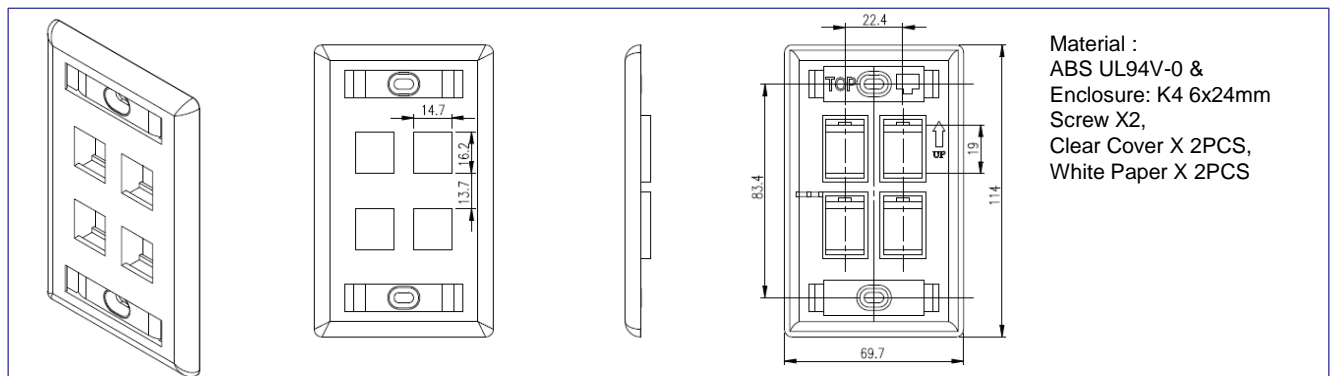
Material :
ABS UL94V-0 &
Enclosure: K4 6x24mm
Screw X2,
Clear Cover X 2PCS,
White Paper X 2PCS

Description	Part Numbers	Compatible Items
1-port US type Single Gang Faceplate	LS-FP-US-1PORT	Back Box: LS-BB-11572-38



Material :
ABS UL94V-0 &
Enclosure: K4 6x24mm
Screw X2,
Clear Cover X 2PCS,
White Paper X 2PCS

Description	Part Numbers	Compatible Items
2-port US type Single Gang Faceplate	LS-FP-US-2PORT	Back Box: LS-BB-11572-38



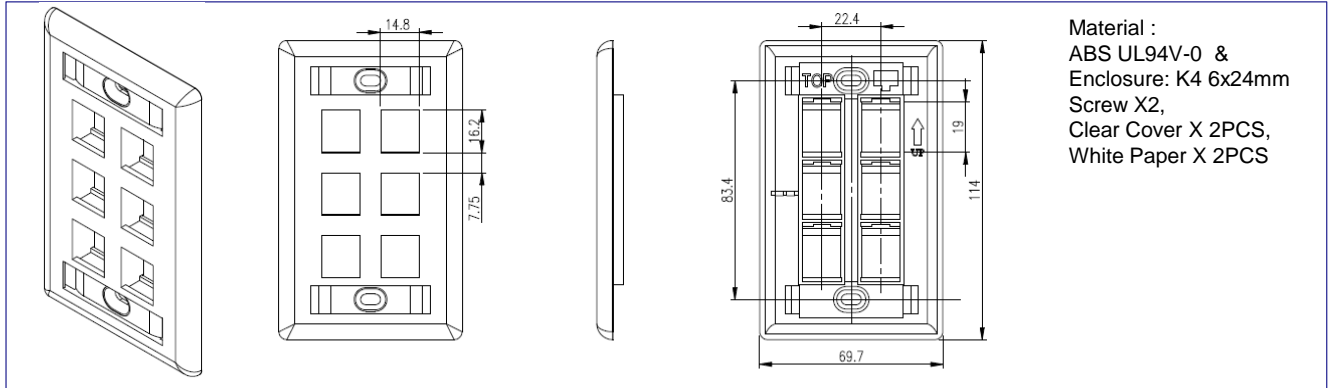
Material :
ABS UL94V-0 &
Enclosure: K4 6x24mm
Screw X2,
Clear Cover X 2PCS,
White Paper X 2PCS

Description	Part Numbers	Compatible Items
4-port US type Single Gang Faceplate	LS-FP-US-4PORT	Back Box: LS-BB-11572-38

DS CODE:
5001

LS Simple™ Outlet Solution

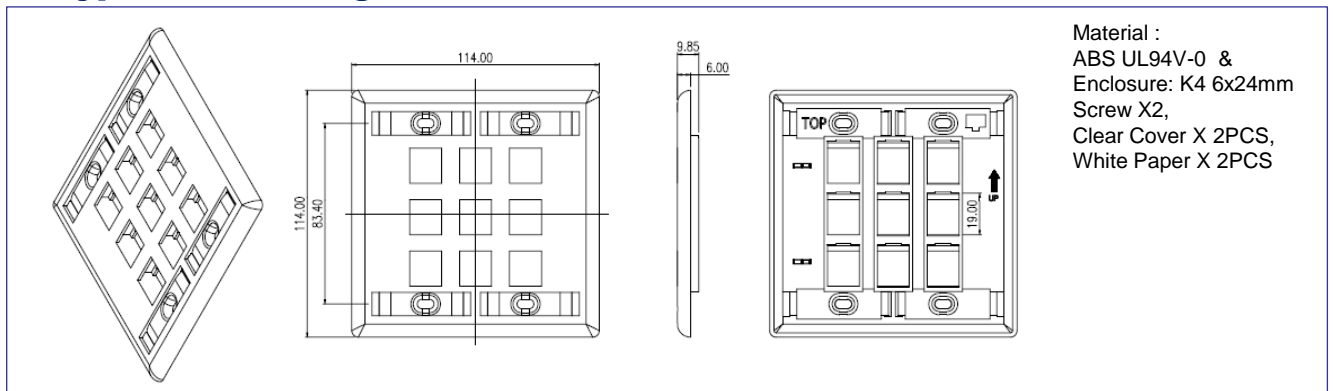
US type Single Gang Face Plate



Material :
ABS UL94V-0 &
Enclosure: K4 6x24mm
Screw X2,
Clear Cover X 2PCS,
White Paper X 2PCS

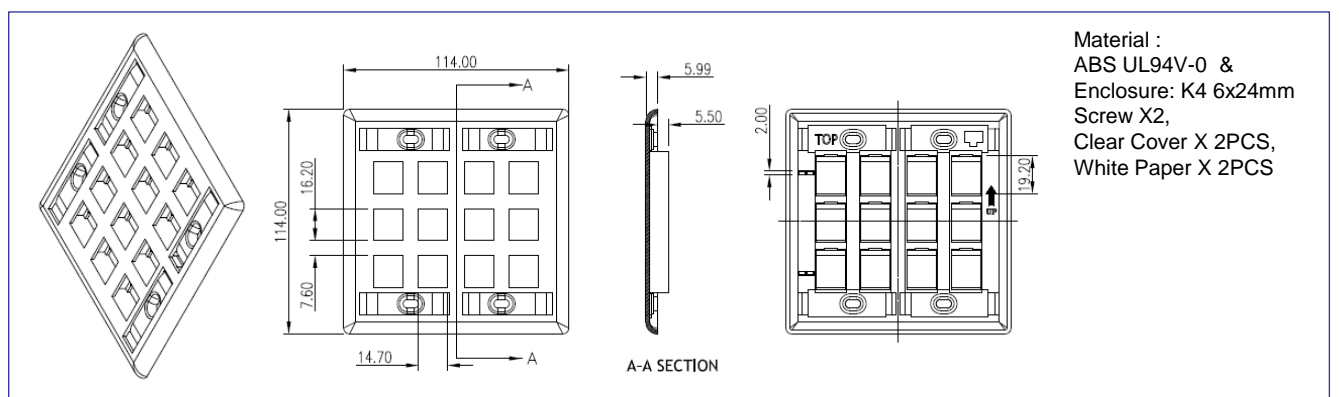
Description	Part Numbers	Compatible Items
6-port US type Single Gang Faceplate	LS-FP-US-6PORT	Back Box: LS-BB-11572-38

US type Double Gang Face Plate



Material :
ABS UL94V-0 &
Enclosure: K4 6x24mm
Screw X2,
Clear Cover X 2PCS,
White Paper X 2PCS

Description	Part Numbers	Compatible Items
9-port US type Double Gang Faceplate	LS-FP-US-9PORT	Back Box: LS-BB-11572-38



Material :
ABS UL94V-0 &
Enclosure: K4 6x24mm
Screw X2,
Clear Cover X 2PCS,
White Paper X 2PCS

Description	Part Numbers	Compatible Items
12-port US type Double Gang Faceplate	LS-FP-US-12PORT	Back Box: LS-BB-11572-38

DS CODE:
5001

LS Simple™ Outlet Solution

Australia Faceplate with Shutter & Icon

Material
Housing : ABS UL94V-0
Dust Cover : ABS UL94V-0
Spring : SUS304
RoHS compliant

I.D Icon (PC, TEL)

Description	Part Numbers	Compatible Items
1-port Australian Face Plate with Shutter & Icon	LS-FP-AUS-H-1	Back Box: LS-BB-11572-38

Material
Housing : ABS UL94V-0
Dust Cover : ABS UL94V-0
Spring : SUS304
RoHS compliant

I.D Icon (PC, TEL)

Description	Part Numbers	Compatible Items
2-port Australian Face Plate with Shutter & Icon	LS-FP-AUS-H-2	Back Box: LS-BB-11572-38

Material
Housing : ABS UL94V-0
Dust Cover : ABS UL94V-0
Spring : SUS304
RoHS compliant

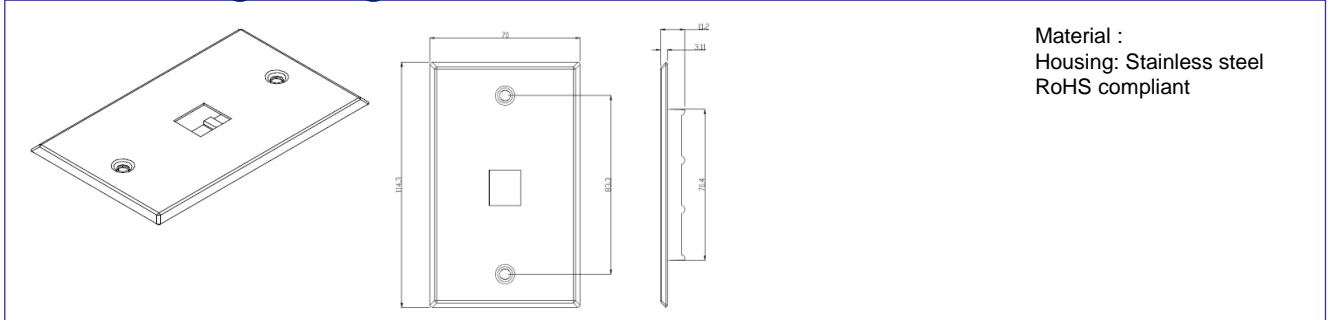
I.D Icon (PC, TEL)

Description	Part Numbers	Compatible items
3-port Australian Face Plate with Shutter & Icon	LS-FP-AUS-H-3	Back Box: LS-BB-11572-38

DS CODE:
5001

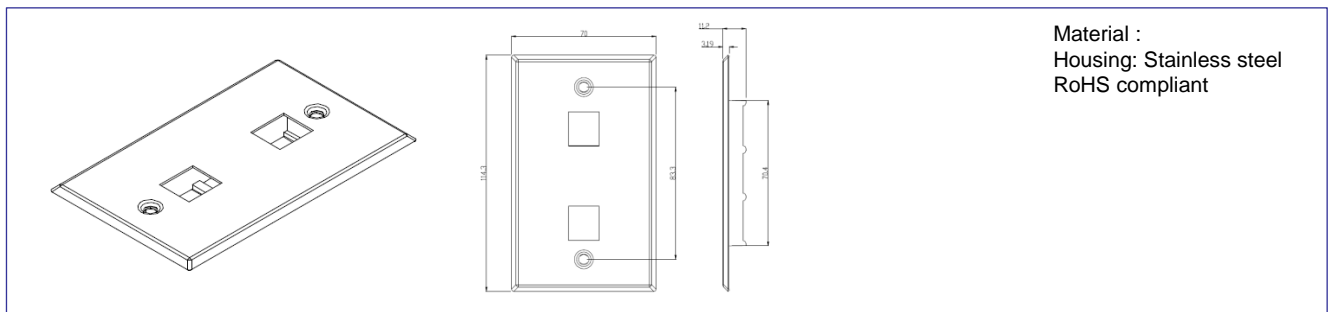
LS Simple™ Outlet Solution

Stainless Single Gang Face Plate



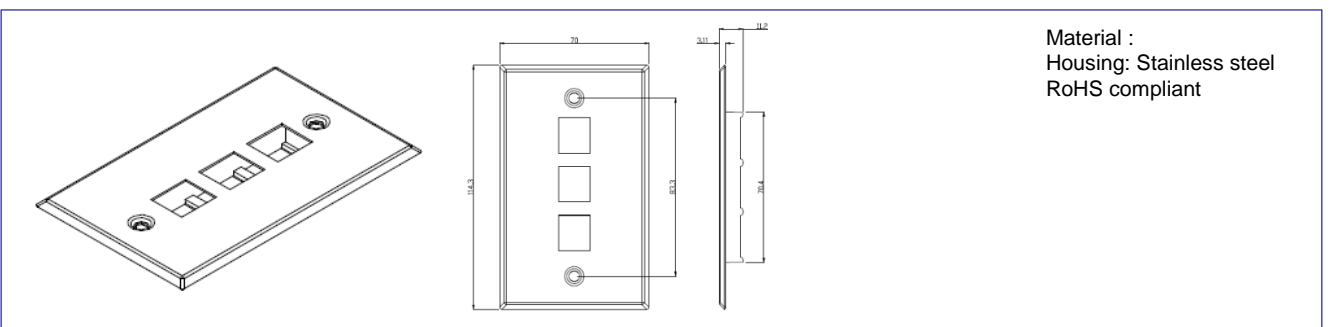
Material :
Housing: Stainless steel
RoHS compliant

Description	Part Numbers	Compatible Items
1-port stainless single Gang Faceplate	LS-FP-US-1P-S	Back Box: LS-BB-11572-38 Modular Jack: LS-MJ-UC5E(6)(6A) series, LS-MJ-SC5E(6)(6A) series Fiber bezel: LC(SC) Insert Assembly, Blank Bezel:LS-AI-US-BI-1 F NTSC-TV:LS-AI-US-TV-1, Blank Insert:LS-AI-US-BI-1



Material :
Housing: Stainless steel
RoHS compliant

Description	Part Numbers	Compatible Items
2-port stainless single Gang Faceplate	LS-FP-US-2P-S	Back Box: LS-BB-11572-38 Modular Jack: LS-MJ-UC5E(6)(6A) series, LS-MJ-SC5E(6)(6A) series Fiber bezel: LC(SC) Insert Assembly, Blank Bezel:LS-AI-US-BI-1 F NTSC-TV:LS-AI-US-TV-1, Blank Insert:LS-AI-US-BI-1



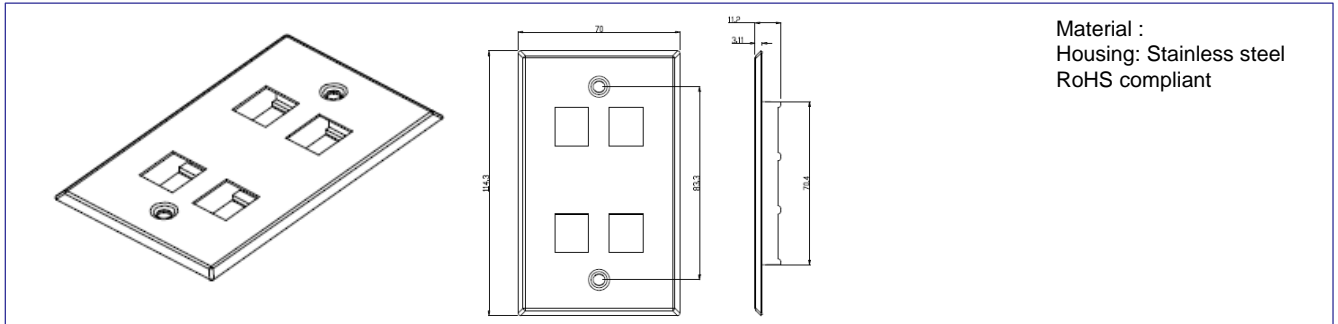
Material :
Housing: Stainless steel
RoHS compliant

Description	Part Numbers	Compatible Items
3-port stainless single Gang Faceplate	LS-FP-US-3P-S	Back Box: LS-BB-11572-38 Modular Jack: LS-MJ-UC(SC)5E(6)(6A)-xx-ERI(SI)(SB) series Fiber bezel: LC(SC) Insert Assembly, Blank Bezel:LS-AI-US-BI-1 F NTSC-TV:LS-AI-US-TV-1, Blank Insert:LS-AI-US-BI-1 * Expect LS-MJ-UC(SC)6(A)-RIDC

DS CODE:
5001

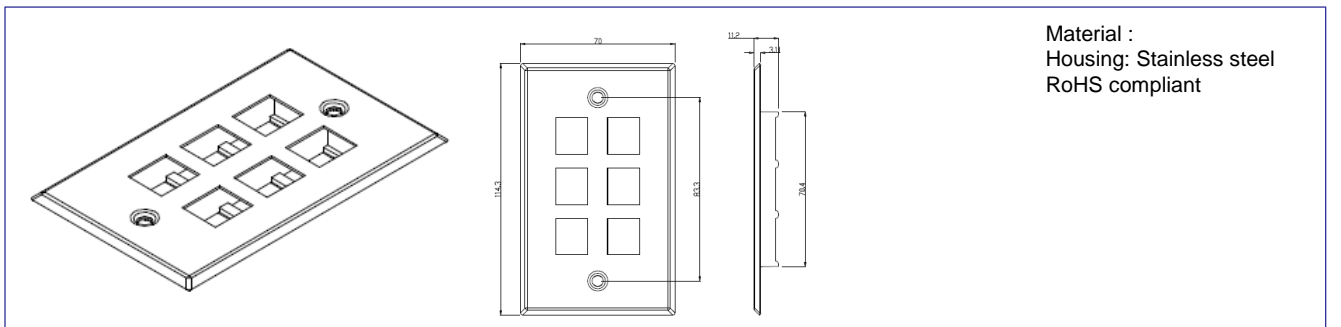
LS Simple™ Outlet Solution

Stainless Single Gang Face Plate



Material :
Housing: Stainless steel
RoHS compliant

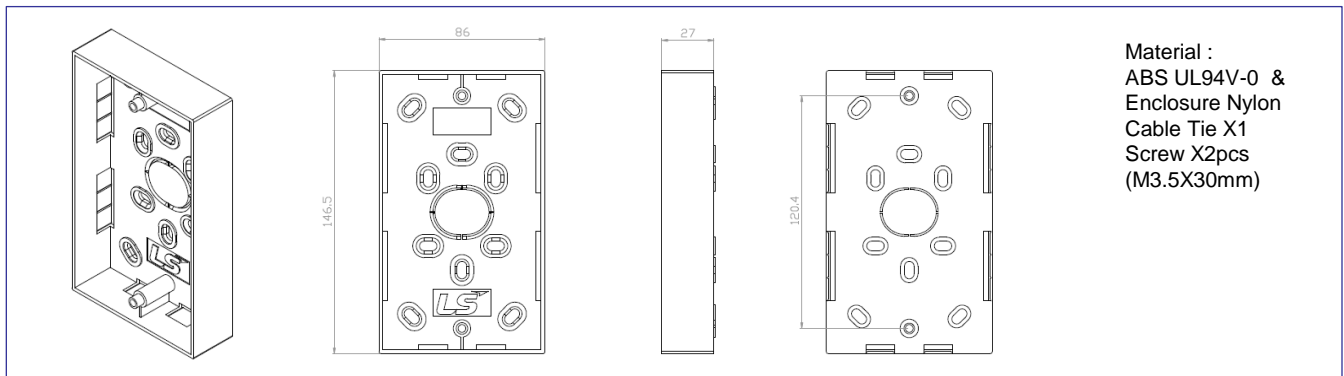
Description	Part Numbers	Compatible Items
4-port stainless single Gang Faceplate	LS-FP-US-4P-S	Back Box: LS-BB-11572-38 Modular Jack: LS-MJ-UC5E(6)(6A) series, LS-MJ-SC5E(6)(6A) series Fiber bezel: LC(SC) Insert Assembly, Blank Bezel:LS-AI-US-BI-1 F NTSC-TV:LS-AI-US-TV-1, Blank Insert:LS-AI-US-BI-1



Material :
Housing: Stainless steel
RoHS compliant

Description	Part Numbers	Compatible Items
6-port stainless single Gang Faceplate	LS-FP-US-6P-S	Back Box: LS-BB-11572-38 Modular Jack: LS-MJ-UC(SC)5E(6)(6A)-xx-ERI(SI)(SB) series Fiber bezel: LC(SC) Insert Assembly, Blank Bezel:LS-AI-US-BI-1 F NTSC-TV:LS-AI-US-TV-1, Blank Insert:LS-AI-US-BI-1 * Expect LS-MJ-SC6A-RIDC

Euro Mode Back Box



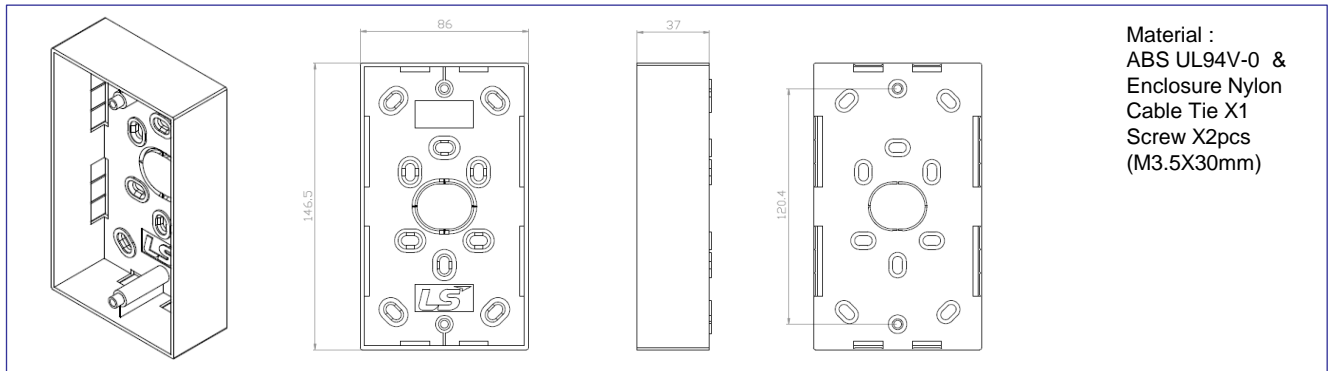
Material :
ABS UL94V-0 &
Enclosure Nylon
Cable Tie X1
Screw X2pcs
(M3.5X30mm)

Description	Part Numbers	Compatible Items
Euro Mode Double gang back box (27mm)	LS-BB-86147-27	Faceplate:LS-FP-6C-BF-4, LS-FP-EU-BF-4,LS-FP-EU-FF-4

DS CODE:
5001

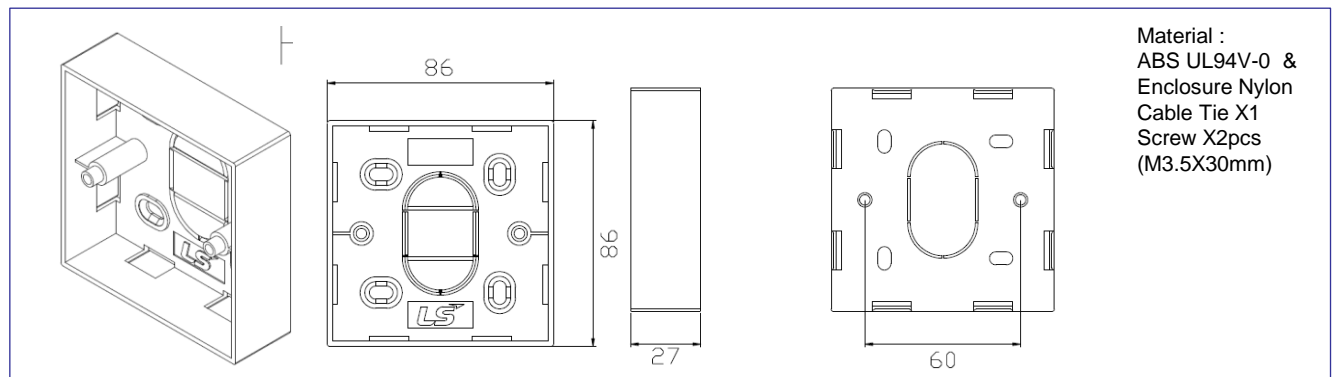
LS Simple™ Outlet Solution

Euro Mode Back Box



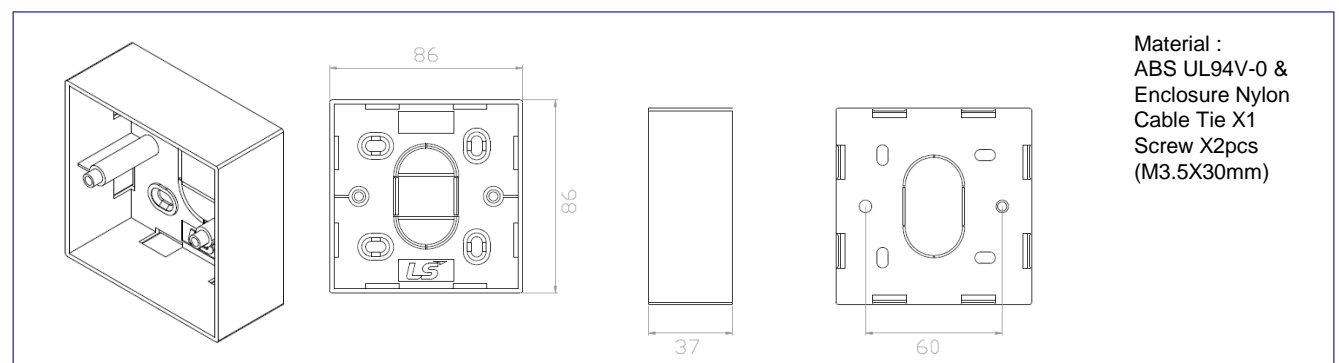
Material :
ABS UL94V-0 &
Enclosure Nylon
Cable Tie X1
Screw X2pcs
(M3.5X30mm)

Description	Part Numbers	Compatible Items
Euro Mode Double gang back box (37mm)	LS-BB-86147-37	Faceplate:LS-FP-6C-BF-4, LS-FP-EU-BF-4,LS-FP-EU-FF-4



Material :
ABS UL94V-0 &
Enclosure Nylon
Cable Tie X1
Screw X2pcs
(M3.5X30mm)

Description	Part Numbers	Compatible Items
Euro Mode single gang back box (27mm)	LS-BB-8686-27	Faceplate:LS-FP-6C-BF-2, LS-FP-EU-BF-2



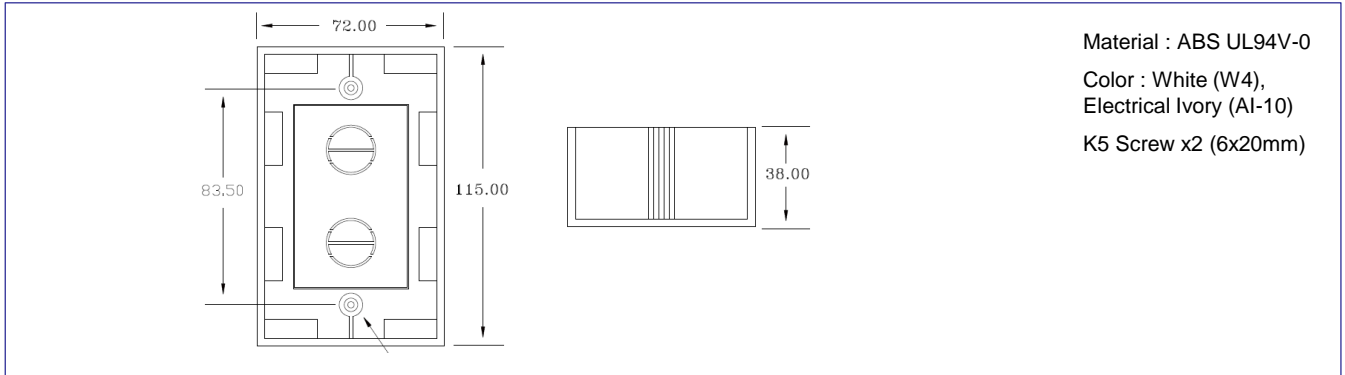
Material :
ABS UL94V-0 &
Enclosure Nylon
Cable Tie X1
Screw X2pcs
(M3.5X30mm)

Description	Part Numbers	Compatible Items
Euro Mode single gang back box (37mm)	LS-BB-8686-37	Faceplate:LS-FP-6C-BF-2, LS-FP-EU-BF-2

DS CODE:
5001

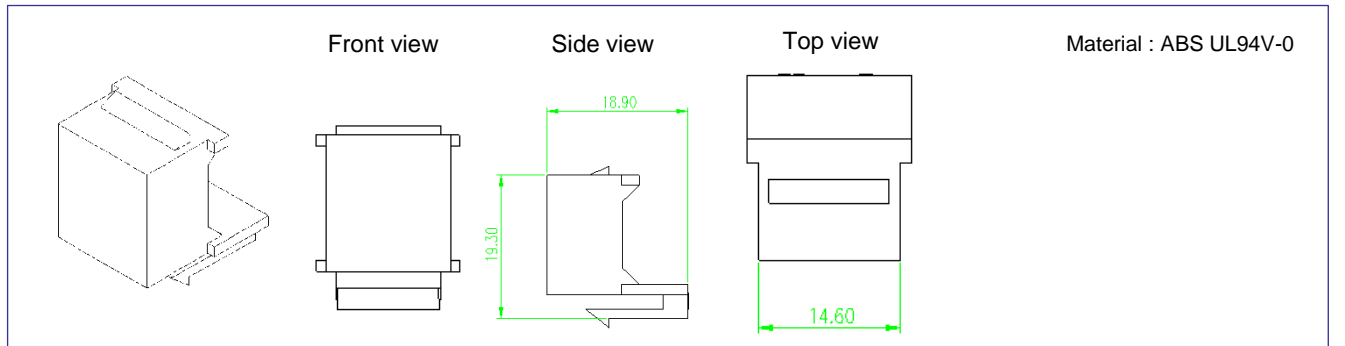
LS Simple™ Outlet Solution

US type Single Gang Back Box



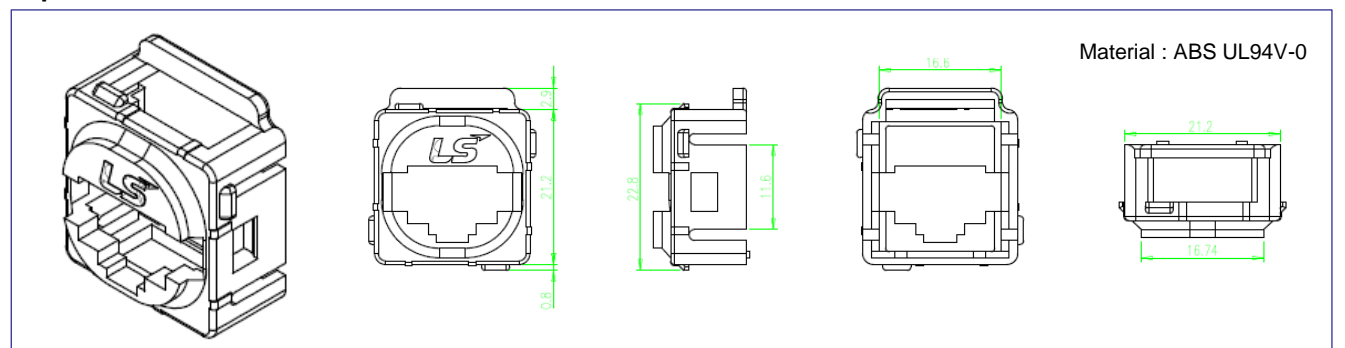
Description	Part Numbers	Compatible Items
US type Single Gang Back Box	LS-BB-11572-38	Face plates : US type series

Blank Insert Bezel



Description	Part Numbers	Compatible Items
Blank Adaptor Insert	LS-AI-US-BI-1	Patch Panel: LS-PP-xxP, LS-PP-MD,LS-APP-24P Faceplate: LS-FP-US series

Clipsal Blank Bezel

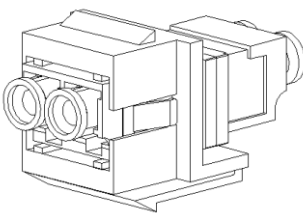


Description	Part Numbers	Compatible Items
Clipsal Blank Bezel	LS-FP-CB	

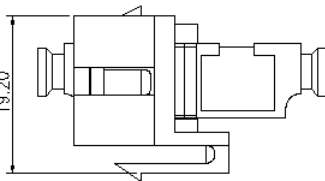
DS CODE:
5001

LS Simple™ Outlet Solution

Adaptor Insert Bezel

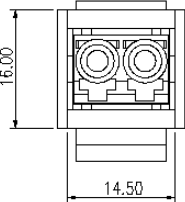


Side view



19.20

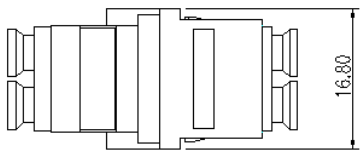
Front view



16.00

14.50

Top view



16.80

Material :

Housing: High-impact (ABS resin), UL 94 V-0 rated
LC Adapter

Housing: High-impact (PEI), UL 94-V0 Rated

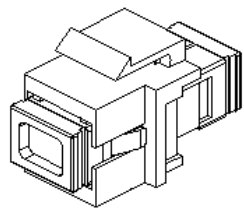
Dust Cover: High-impact PP or TPE, UL 94 V-0 Rate

Sleeve: Ceramic

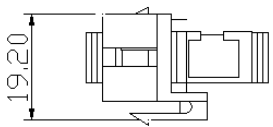
Plate: Stainless Steel

RoHS compliant

Description	Part Numbers	Compatible Items
LC type Adaptor Insert	LS-AI-US-LC-MM(SM)	Patch Panel: LS-PP-xxP, LS-PP-MD, LS-APP-24P Faceplate: LS-FP-US series, LS-FP-AUS series Back Box bezels

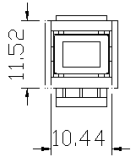


Side view



19.20

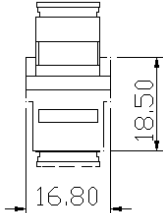
Front view



11.52

10.44

Top view



18.50

16.80

Material :

Housing: High-impact (ABS resin), UL 94 V-0 rated
SC adapter

Housing: High-impact (PEI), UL 94-V0 Rated

Dust Cover: High-impact PP or TPE, UL 94 V-0 Rate

Sleeve: Ceramic

Sleeve: holder: PBT resin, UL 94V-0 rated

Plate: Stainless Steel

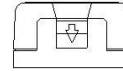
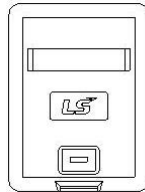
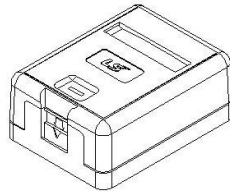
RoHS compliant

Description	Part Numbers	Compatible Items
SC type Adaptor Insert	LS-AI-US-SC-MM(SM)	Patch Panel: LS-PP-xxP, LS-PP-MD, LS-APP-24P Faceplate: LS-FP-US series, LS-FP-AUS series Back box bezels

DS CODE:
5001

LS Simple™ Outlet Solution

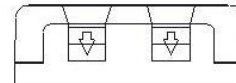
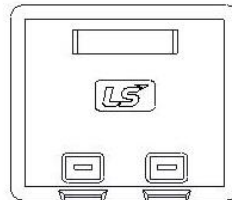
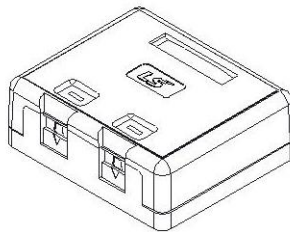
Surface Mount Box



High Impact Flame
Retardant Plastic, UL 94V-0
Rated

(L x W x H)mm : 65x48x26.7

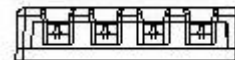
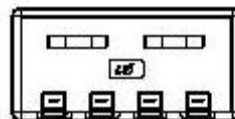
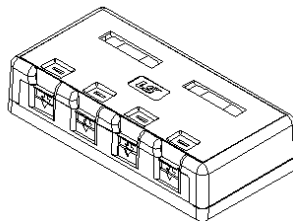
Description	Part Numbers	Compatible Items
1-Port Surface mount Box with Station ID & Shutter	LS-SMB-1PORT	LS-MJ-UCXX-WH-ERI, LS-MJ-SCXX-WH-ERI, LS-MJ-UCXX-WH



High Impact Flame
Retardant Plastic, UL 94V-0
Rated

(L x W x H)mm : 52x60.8x21.36

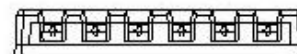
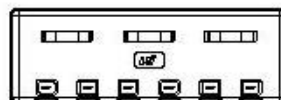
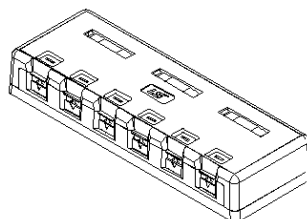
Description	Part Numbers	Compatible Items
2-Port Surface mount Box with Station ID & Shutter	LS-SMB-2PORT	LS-MJ-UCXX-WH-ERI, LS-MJ-SCXX-WH-ERI, LS-MJ-UCXX-WH



High Impact Flame
Retardant Plastic, UL 94V-0
Rated

(L x W x H)mm : 65.6x132.1x30

Description	Part Numbers	Compatible Items
4-Port Surface mount Box with Station ID & Shutter	LS-SMB-4PORT	LS-MJ-UCXX-WH-ERI, LS-MJ-SCXX-WH-ERI, LS-MJ-UCXX-WH



High Impact Flame
Retardant Plastic, UL 94V-0
Rated

(L x W x H)mm : 65.6x189.0x30

Description	Part Numbers	Compatible Items
6-Port Surface mount Box with Station ID & Shutter	LS-SMB-6PORT	LS-MJ-UCXX-WH-ERI, LS-MJ-SCXX-WH-ERI, LS-MJ-UCXX-WH

DS CODE:
5001

LS Simple™ Outlet Solution

F Simplex CATV connector

High Impact Flame Retardant Plastic, UL 94V-0 Rated

Dimension(H19.2 * W16.8 * D32mm)

Description	Part Numbers	Compatible Items
F Simplex connector NTSC-TV, CATV Adapter Insert, Sanp-In type Dimension(H19.2 * W16.8 * D32mm) Including CATV adaptor	LS-AI-US-TV-1	LS-US type face plate

High Impact Flame Retardant Plastic, UL 94V-0 Rated

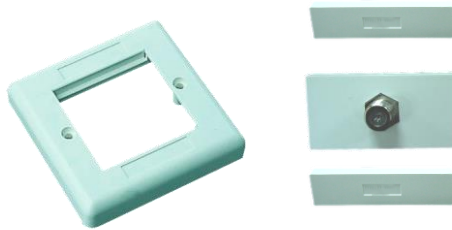
(L x W x H)mm : 65.6x189.0x30

Description	Part Numbers	Compatible Items
System Box Bezel Sanp-In type Dimension(H25 * W22 * D9.9mm)	LS-FP-SBB	LS-MJ-UCy-yy-SI(SB)(ERI)(RIDC) series

DS CODE:
5001

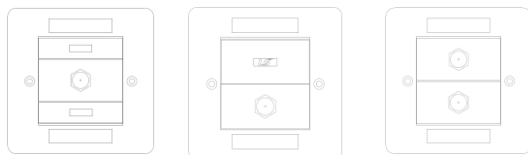
LS Simple™ Outlet Solution

F-Connector Outlet Solution



Description

- F-connector be used for Faceplate
- Available in 1 or 2 F-connectors per 1 F/Plate(86 x 86 mm)
- ¼ (12.5X50mm), ½ (25 X 50mm) blank Bezels
- Variety Label's Design



One Port

Two Ports

Specification

- Band wide: 0– 2400 MHz
- Nominal impedance : 75 Ω
- Return loss>40dB +/-2.0dB@ 1GHz
- Working temperature:-40° up to +85°

Part Numbers

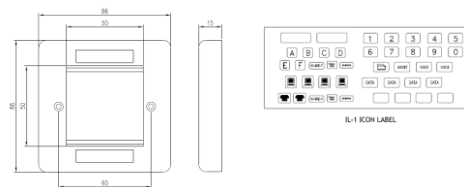
Description	Part Numbers
Euro mode Face plate Round form (86 x 86mm)	LS-FP-EU-RF-2
Euro Mode Face Plate Blank bezel, 1/2 (25 x 50mm)	LS-FP-EU-BB-1/2
Euro Mode Face Plate Blank bezel, 1/4 (12.5 x 50mm)	LS-FP-EU-BB-1/4
F type bezel with F-connector (25 x 50mm)	LS-FP-EU-FC

* General color is white

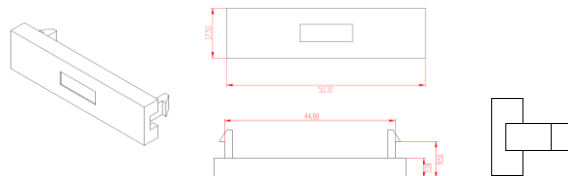
Drawing

Material: UL 94V0 or V2 over

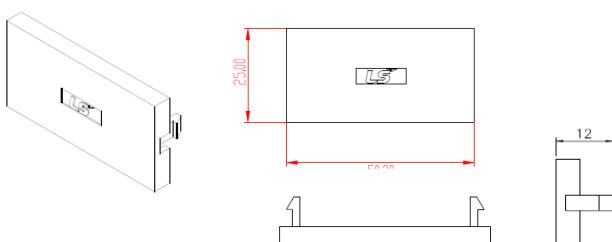
LS-FP-EU-RF-2



LS-FP-EU-BB-1/4



LS-FP-EU-BB-1/2



LS-FP-EU-FC

