

DS CODE:

**200104**

## LS Simple™ Cabling Solution

### LS-MJ-UC6A-xx-ERI

1. IDC Cap
2. Jack Housing



#### Description

- User instructions and basic wiring layout for standard configuration are included
- 180 degree slim Modular Jack
- Designed and manufactured to meet demanding of international standards
- Individually terminated using slim-IDC(Insulation Displacement Connectors)
- T568A or T568B configuration
- 47 CFR part 68(RJ-45), ANSI/TIA-568-C.2(Category 6A), ISO/IEC 11801 and EN50173 compliant
- High impact flame retardant plastic housing
- Easy installation & smart cabling arrangement by wiring cap
- RoHS compliant

#### Application

- Horizontal Distribution & Backbone Cabling
- 4/16 Mbps Token Ring (IEEE 802.5)
- 10/100/1000 BASE-T (IEEE 802.3)
- ATM 155.52 Mbps
- 10GBAST-T(IEEE 802.3)
- 100Mbps TP-PMD
- ISDN, ADSL
- Analog & digital voice(VoIP) and video
- Full broadband and baseband video

#### Part Numbers

Description	Dimension (H * W * D, mm)	Part Numbers	Compatible Items
Unshielded Category 6A Modular Jack White color	19.3 * 16.8 * 29.0	LS-MJ-UC6A-WH-ERI	Panel : LS-PP series LS-APP series LS-PPP series
Unshielded Category 6A Modular Jack black color	19.3 * 16.8 * 29.0	LS-MJ-UC6A-BK-ERI	
Unshielded Category 6A Modular Jack blue color	19.3 * 16.8 * 29.0	LS-MJ-UC6A-BL-ERI	Outlet : LS-FP-SA(SF)(US) series
Unshielded Category 6A Modular Jack red color	19.3 * 16.8 * 29.0	LS-MJ-UC6A-RD-ERI	Tool : LS-EZT-TOOL-ER

DS CODE:

**200104**

# LS Simple™ Cabling Solution

## LS-MJ-UC6A-xx-ERI

### ➤ Technical Details

Item	Unit	Information
<b>FEATURE</b>		
Approvals		UL Listed
Category		ANSI/TIA-568-C.2 Category 6A , 500MHz
Meet		47 CFR part 68
Wiring scheme		T568A/T568B
<b>ELECTRICAL</b>		
Current Rating	Amps	1.5
Insulation Resistance	Mega-ohm	> 500
Contact Resistance	milli-ohm	< 20
DC Resistance	ohm	< 0.1
Dielectric withstand voltage, RMS, contact to contact)	VAC	<1000 @ 60Hz
<b>MECHANICAL</b>		
Insertion Life	Mating Cycles	2,000
Re-termination	No. of Crimping	200
Pull Force	lbs(N)	20(89)
Temperature	℃	-40 ~ 68
Humidity	% (RH)	10 ~ 90
IDC accept	AWG	23~26 (Solid wire)
<b>PHYSICAL</b>		
Housing & Door		ABS+PC, UL 94V-0 rated
Cap		PA11 + Anti-EMI material, UL 94V-0 rated, Black
Contact Bracket		PC, UL 94V-2 rated, Transparent
IDC Block		PC, UL 94V-2 rated
IDC Terminals		Phosphor Bronze, plated with tin over nickel underplate
Jack Contacts		Phosphor bronze flat wire, plated with 1.27μm (50μin) thick hard gold on contact area over nickel underplate
PCB		FR4, UL 94V-0 rated

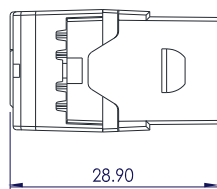
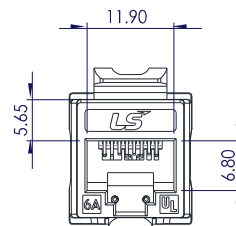
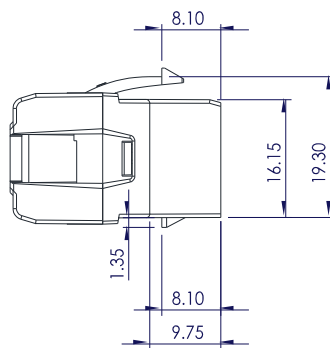
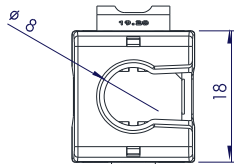
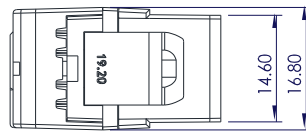
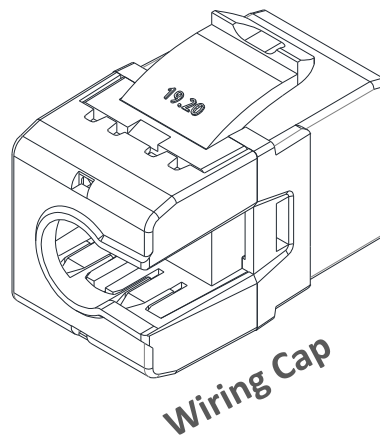
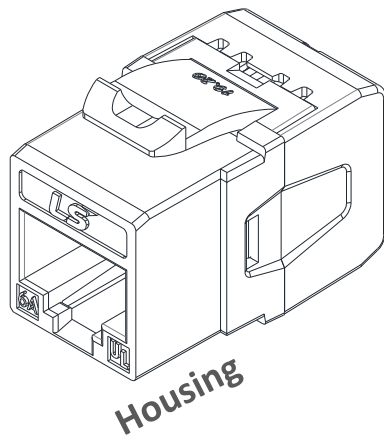
DS CODE:

**200104**

# LS Simple™ Cabling Solution

## LS-MJ-UC6A-xx-ERI

Drawing



DS CODE:

200104

## LS Simple™ Cabling Solution

## LS-MJ-UC6A-xx-ERI

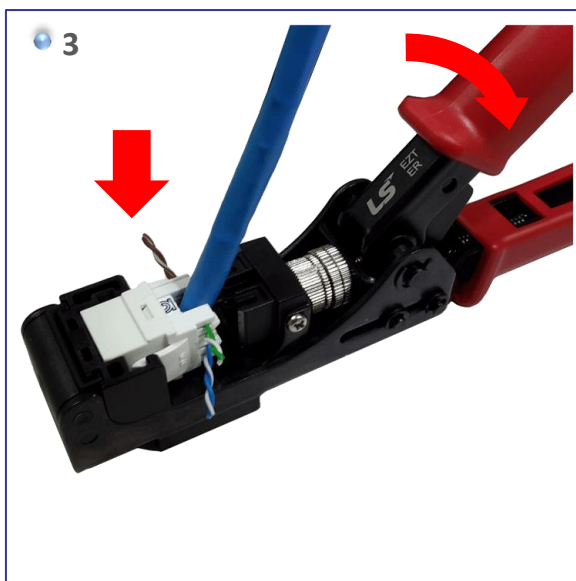
## ➤ Installation Manual



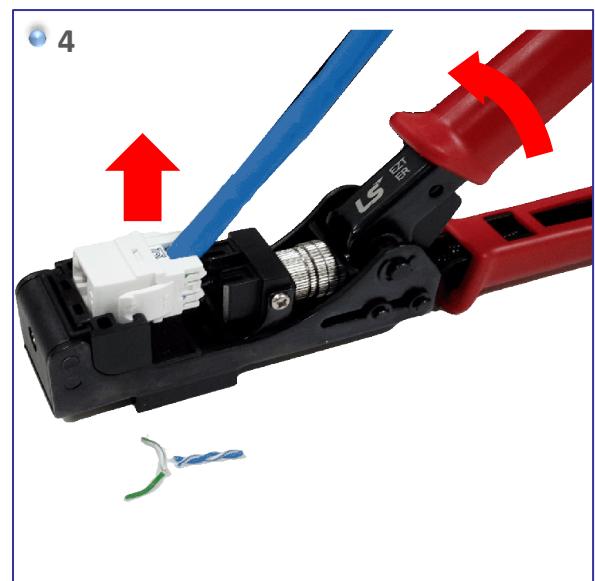
1. Prepare the Easy Termination with ERI Modular Jack.



2. Place the wires into the slots according to the wire scheme.



3. Put the Keystone Jack onto the Easy Tool in the right position and then squeeze the tool then terminate all wires and trim the excess wires at the same time.



4. Remove the Keystone Jack vertically away from the termination tool.