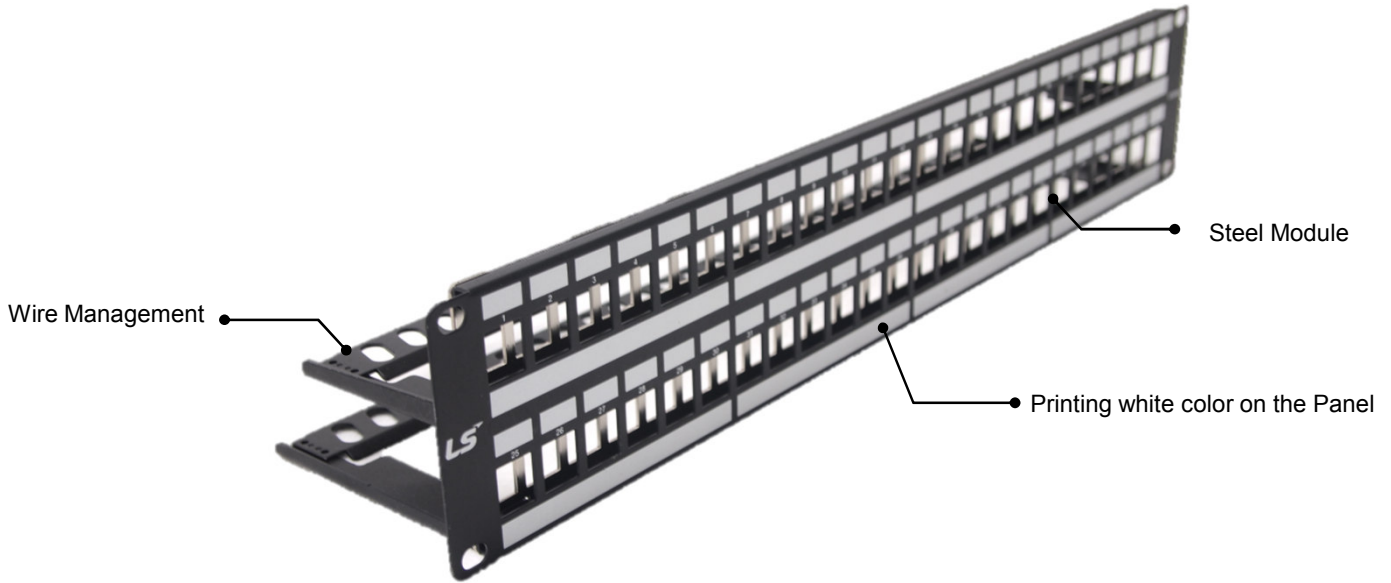


DS CODE:
300503

LS Simple™ Cabling Solution

LS-PP-48P-E-WM



➤ Description

LS Simple™ 2U Empty Panel

- For Category 5E/6/6A, Unshielded and Shielded Modular Jack series, and fiber bezel etc.
- Mounted on 19inch standard rack
- RoHS compliant

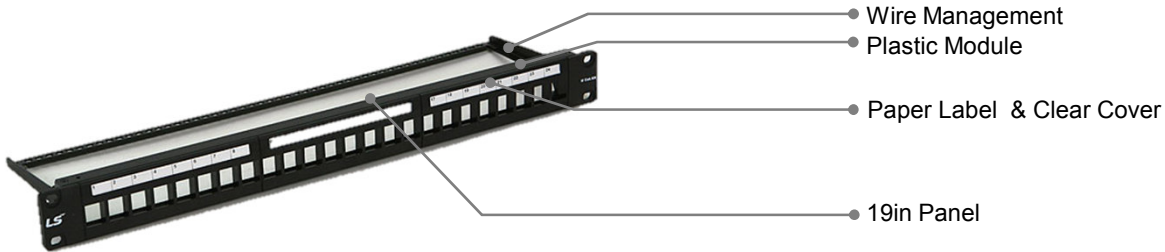
➤ Part Numbers

Description	Dimension (H x W, inch)	Part Numbers	Compatible Items
24-Port Empty Patch Panel with Wire Management	3.5 x 19 (2U)	LS-PP-48P-E-WM	Modular Jack: LS-MJ-UC5E(6)(6A)-xx-E(S)RI series LS-MJ-SC5E(6)-xx-RIDC series LS-MJ-SC6A-xx-ERI series Fiber bezel etc.

DS CODE:
300506

LS Simple™ Cabling Solution

LS-PP-MD-12P(24P)-E(-WM)



➤ Description

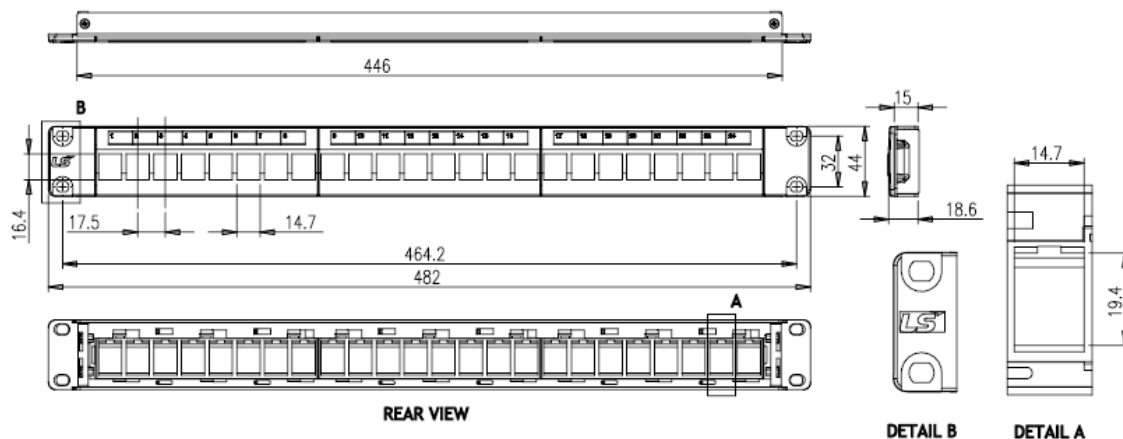
LS Simple™ 1U MD type (8-in-1 Module) Empty Panel

- For Category 5e~6A, Unshielded Modular Jack series and fiber bezel etc.
- Mounted on 19-inch standard rack
- Including the three label colors(White, Blue, Green)
- Inserting hole fully complies with RJ-45 of 47 CFR part 68
- High impact flame retardant plastic module in front of panel
- Easy managing & wiring by using the double hook's structure between panel and manager bar
- RoHS compliant

➤ Part Numbers

Description		Part Numbers	Compatible Items
MD type (8-in-1 module) Empty Panel	12-ports 24-ports 24-ports with management	LS-PP-MD-12P-E LS-PP-MD-24P-E LS-PP-MD-24P-E-WM	Modular Jack : LS-MJ-UC5E(6)(6A)-xx-E(S)RI Bezel & Adapter : LS-AI-US-xx series

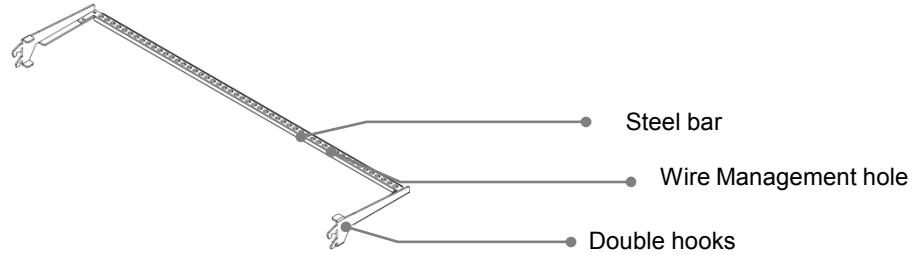
➤ Drawing



DS CODE:
300507

LS Simple™ Cabling Solution

LS-PP-MD-WM-EX



Description

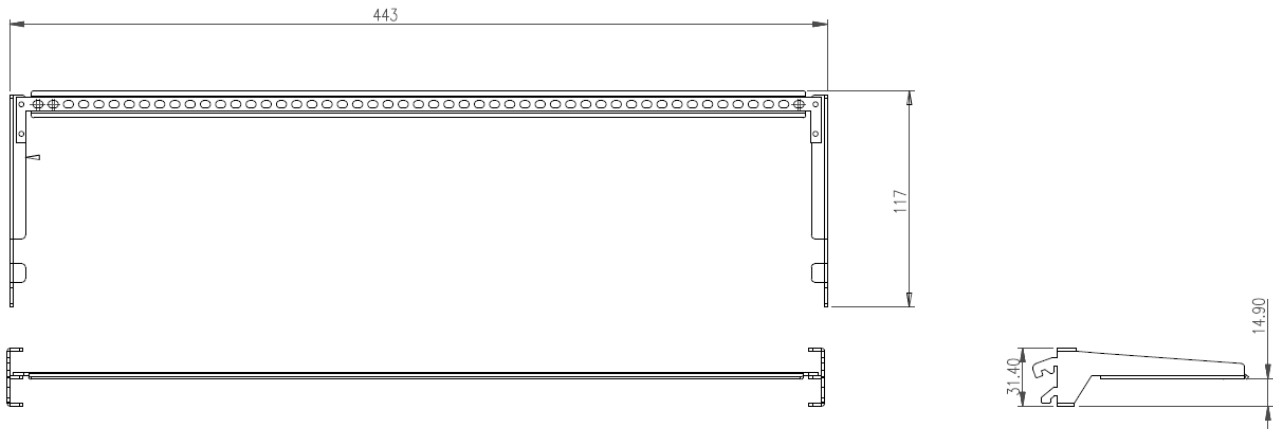
LS Simple™ Cable Management

- For 1U, 2U Panel
- Mounted on 19inch standard rack
- RoHS compliant

Part Numbers

Description	Part Numbers	Compatible Items
24-Port Empty Patch Panel's Management	LS-MD-WM-EX	Panel : LS-PP-MD-24P(48P)-E Series Angled Panel : LS-APP-24P(48P)-E Series Patch Panel : LS-PP-UC6-24P(48P)-xx series

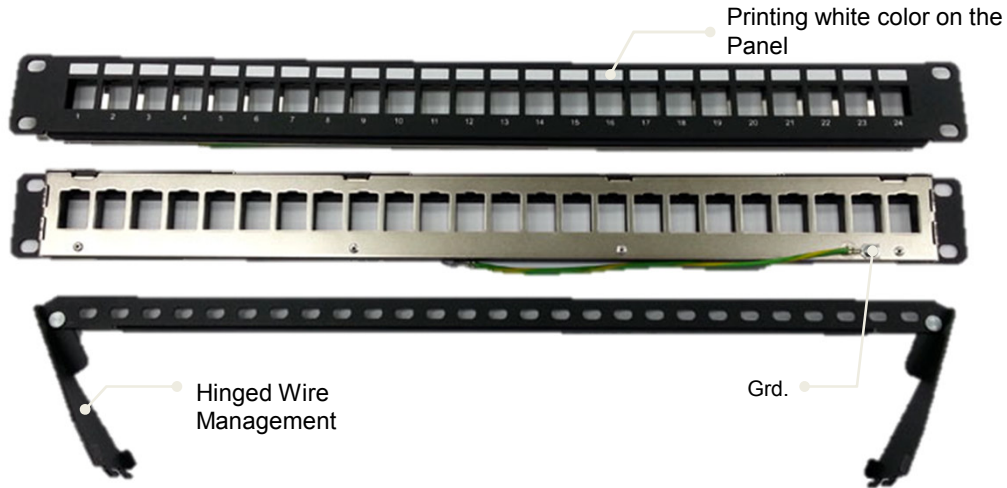
Drawing



DS CODE:
300510

LS Simple™ Cabling Solution

LS-PP-24P-E-LWM



➤ Description

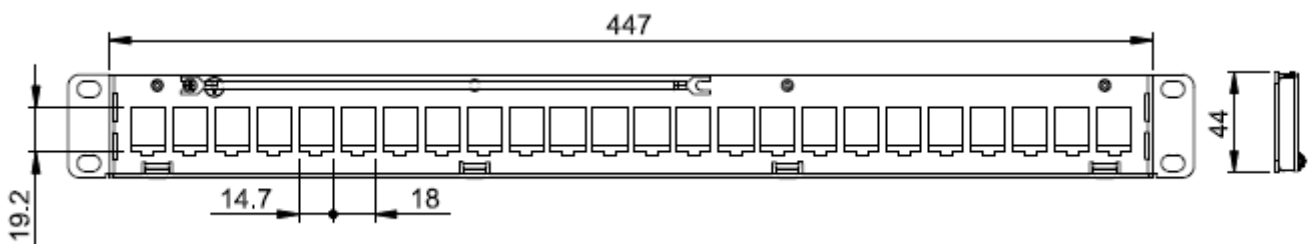
LS Simple™ 1Unit 24-Port Empty Panel

- For Category 5e~6A Unshielded and Shielded Modular Jack series, and fiber bezel etc.
- Mounted on 19" standard rack
- Inserting hole fully complies with RJ-45 of 47 CFR part 68
- Easy handling by hinged wire management
- RoHS compliant

➤ Part Numbers

Description	Part Numbers	Compatible Items
24-Port Empty Panel with Hinged Wire Management	LS-PP-24P-E-LWM	Modular Jack: LS-MJ-UC5E(6)(6A)-xx-E(S)RI series LS-MJ-SC5E(6)-xx-RIDC series LS-MJ-SC6A-xx-ERI series Fiber bezel etc.

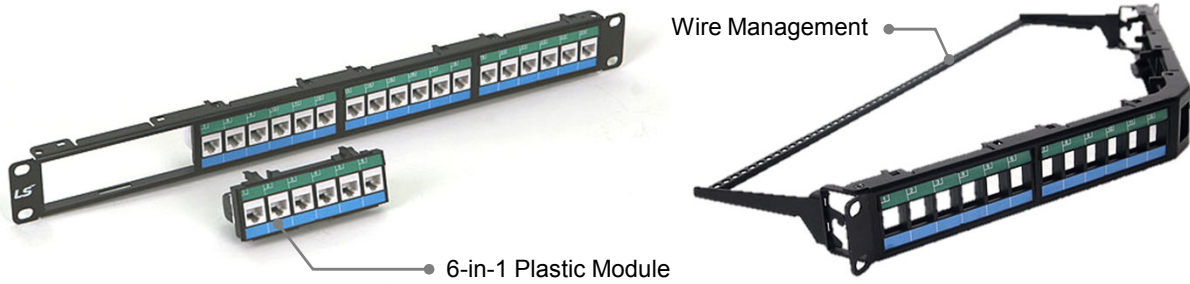
➤ Drawing



DS CODE:
300511

LS Simple™ Cabling Solution

LS-PPP(APP)-UC(SC)-24P-E4-WM-C



➤ Description

LS Simple™ 1-Unit 24-Port Flat or Angled type 6-in-1 Module Panel

- Design for the LS dedicated Modular Jack
- Mounted on 19-inch standard rack
- 6-in-1 module for LS Fast-Net™ pre-terminated cable
- High impact flame retardant plastic module in front of panel
- RoHS compliant

➤ Part Numbers

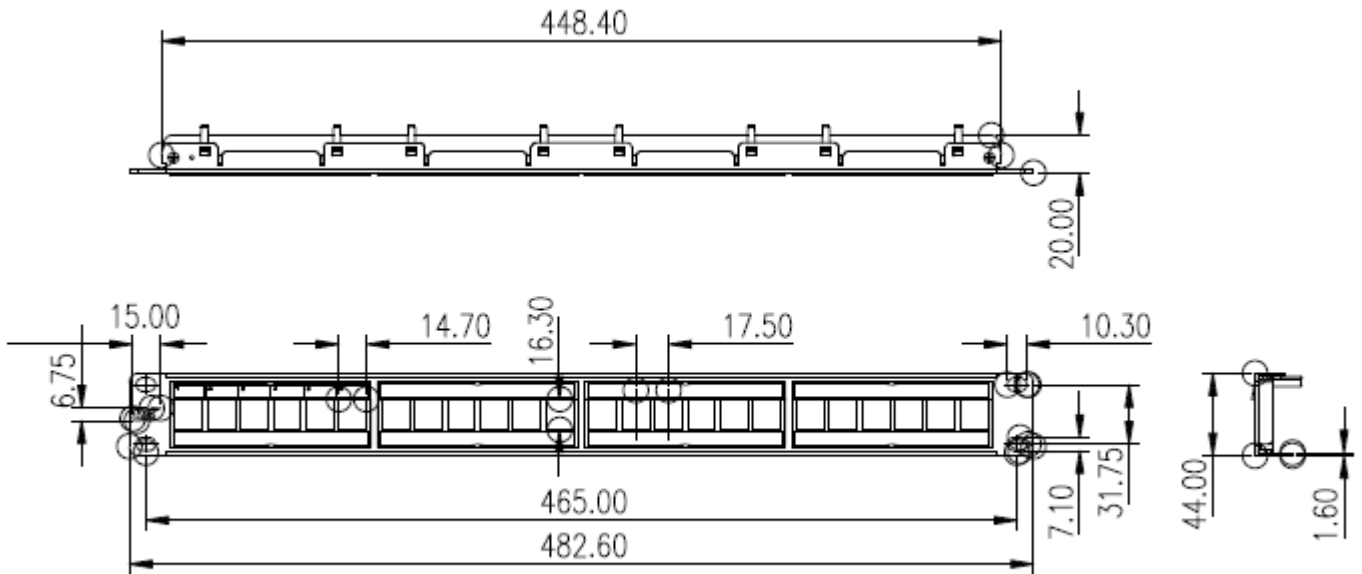
Description	Part Numbers	Compatible Items
1-Unit Flat 24-Port for Unshielded	LS-PPP-UC-24P-E4-WM-C	Modular Jack : LS-MJ-UC5E(6)(6A)-xx-E(S)RI series
1-Unit Angled 24-Port for Unshielded	LS-APP-UC-24P-E4-WM-C	
1-Unit Flat 24-Port for Shielded	LS-PPP-SC-24P-E4-WM-C	Modular Jack : LS-MJ-SC5E(6)-xx-RIDC series LS-MJ-SC6A-xx-ERI series
1-Unit Angled 24-Port for Shielded	LS-APP-SC-24P-E4-WM-C	

DS CODE:
300511

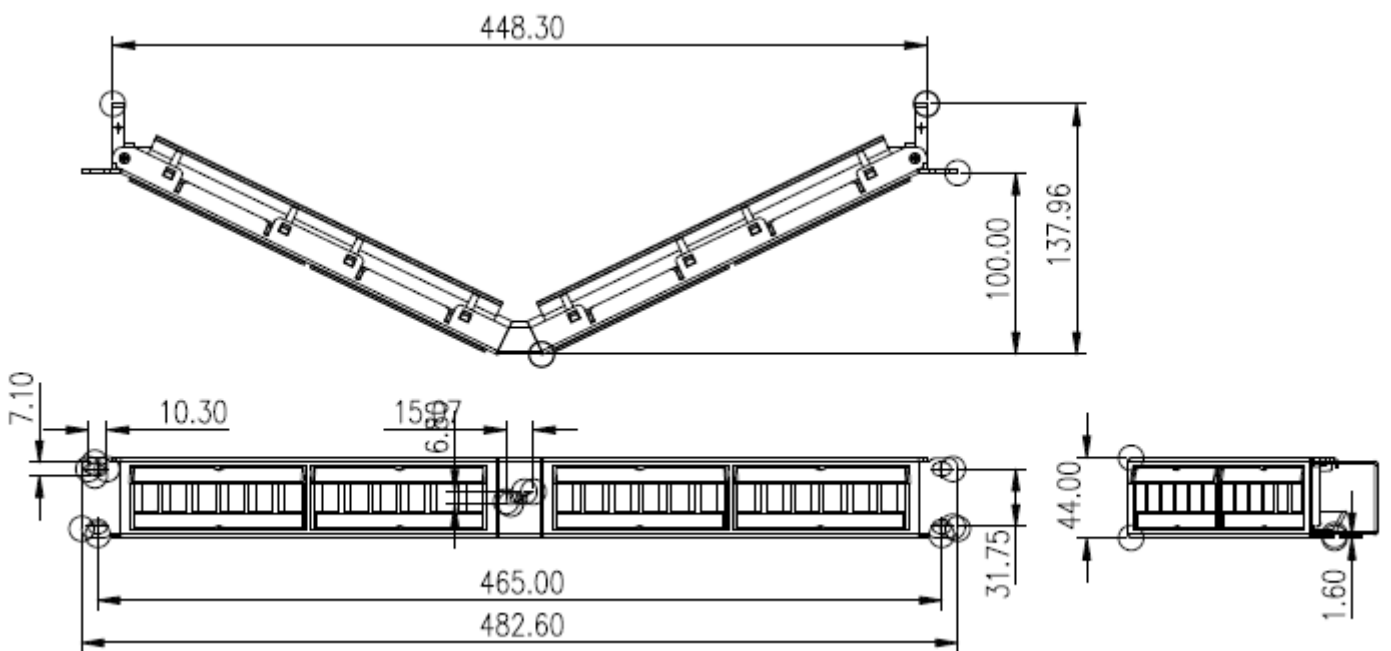
LS Simple™ Cabling Solution

➤ Drawing

Flat type



Angled type



DS CODE:
300512

LS Simple™ Cabling Solution

LS-APP-24P(48P)-E-WM



➤ Description

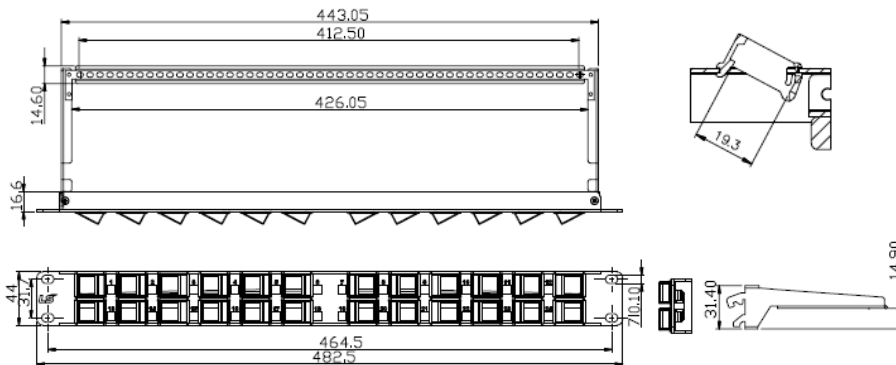
LS Simple™ 1U or 2U Angled Panel

- For inserting the LS Modular Jack series
- Mounted on 19-inch standard rack
- Available for high density wiring without the organizer panel
- RoHS compliant
- High impact flame retardant plastic module in front of panel

➤ Part Numbers

Description	Dimension (H x W) [mm]	Part Numbers	Compatible Items
24-Port Angled Panel with Wire Management	44 X 482	LS-APP-24P-E-WM	Modular Jack : LS-MJ-UC5E(6)(6A)-xx-E(S)RI series
48-Port Angled Panel with Wire Management	88 X 482	LS-APP-48P-E-WM	Modular Jack : LS-MJ-UC5E(6)(6A)-xx-E(S)RI series

➤ Drawing



* In case of 48-port, panel height is 88mm