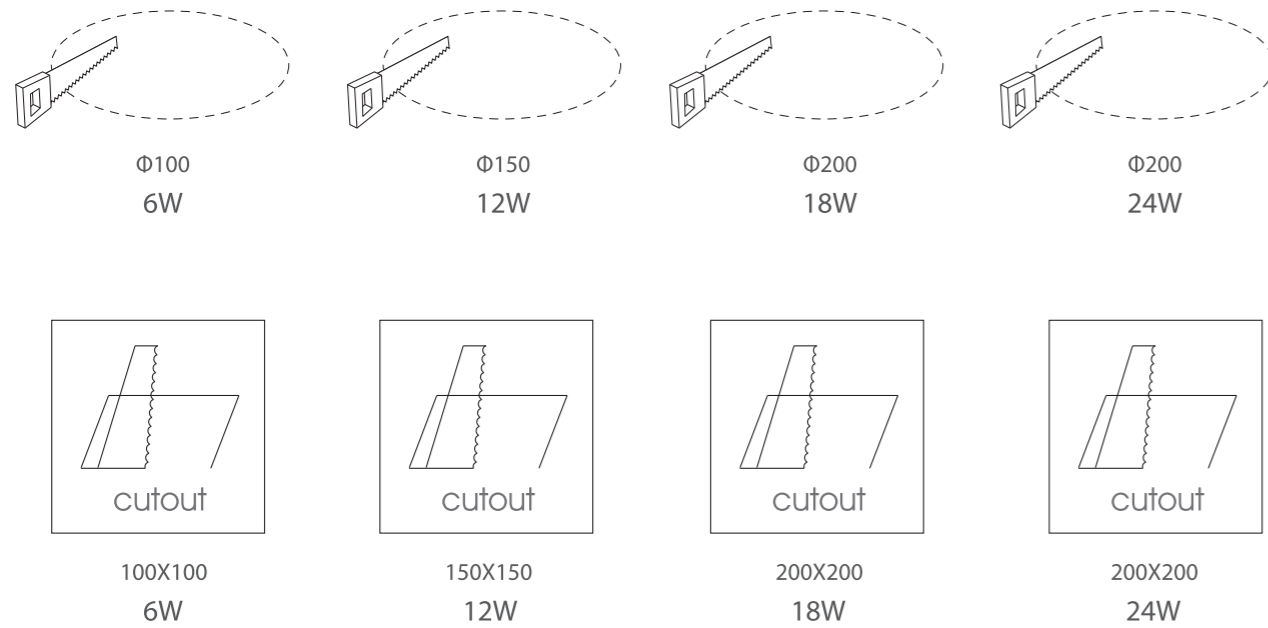
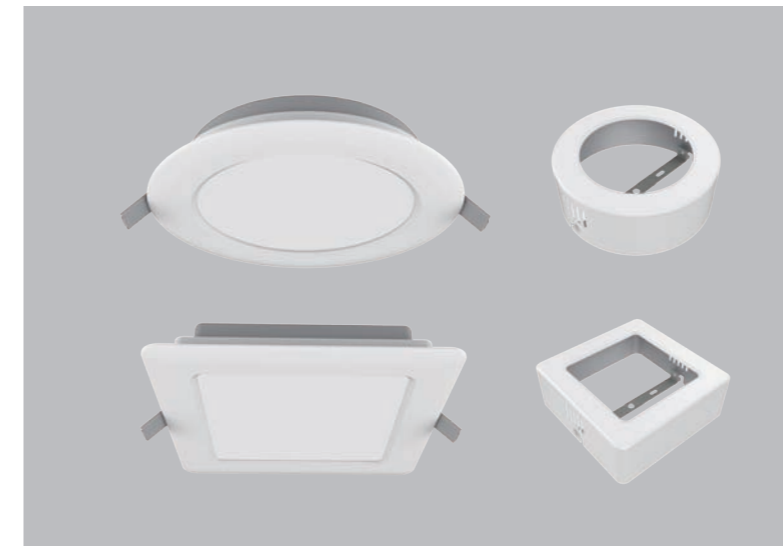
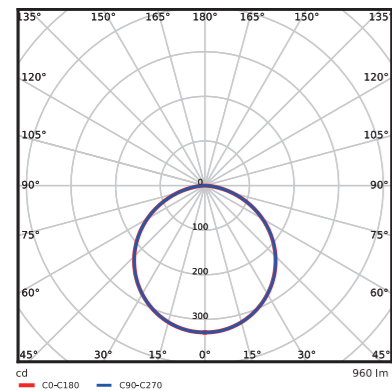


## Cut-out Drawing



## Photometric Data



## LED Slim Downlight EcoMax II

### Features

- High Lumen Output
- Long lifespan
- Easy to installation

### Benefits

- Up to 50% energy saving compared to conventional downlight
- Lasts 3 times longer than conventional downlight, up to 30000hrs lifetime
- Driver on board in compact size ensure 1 step plug-and-play installation

### Application



## Specification

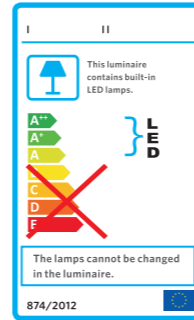
Item Code	Item Description	Power (W)	Power Factor	Lumen (lm)	Efficacy (lm/W)	Input Current (mA)	CRI	Rated Current (mA)	CCT (K)	Lifetime (L70B50)	MOQ (pcs)
140053269	LEDDownlightRc-ESII R100-6W-3000-WH-NV	6	0.45	380	63	110	80	55	3000	30000	600
140053270	LEDDownlightRc-ESII R100-6W-4000-WH-NV	6	0.45	400	67	110	80	55	4000	30000	600
140053271	LEDDownlightRc-ESII R100-6W-6000-WH-NV	6	0.45	400	67	no	80	55	6000	30000	600
140053272	LEDDownlightRc-ESII R150-12W-3000-WH-NV	12	0.50	810	68	110	80	100	3000	30000	600
140053273	LEDDownlightRc-ESII R150-12W-4000-WH-NV	12	0.50	850	71	110	80	100	4000	30000	600
140053274	LEDDownlightRc-ESII R150-12W-6000-WH-NV	12	0.50	850	71	no	80	100	6000	30000	600
140053275	LEDDownlightRc-ESII R200-18W-3000-WH-NV	18	0.50	1250	69	110	80	155	3000	30000	600
140053276	LEDDownlightRc-ESII R200-18W-4000-WH-NV	18	0.50	1300	72	110	80	155	4000	30000	600
140053277	LEDDownlightRc-ESII R200-18W-6000-WH-NV	18	0.50	1300	72	no	80	155	6000	30000	600
140053278	LEDDownlightRc-ESII R200-24W-3000-WH-NV	24	0.50	1620	68	110	80	190	3000	30000	600
140053279	LEDDownlightRc-ESII R200-24W-4000-WH-NV	24	0.50	1700	71	110	80	190	4000	30000	600
140053280	LEDDownlightRc-ESII R200-24W-6000-WH-NV	24	0.50	1700	71	no	80	190	6000	30000	600
140053281	LEDDownlightRc-ESII S100-6W-3000-WH-N V	6	0.45	380	63	110	80	55	3000	30000	600
140053282	LEDDownlightRc-ESII S100-6W-4000-WH-NV	6	0.45	400	67	110	80	55	4000	30000	600
140053283	LEDDownlightRc-ESII S100-6W-6000-WH-NV	6	0.45	400	67	no	80	55	6000	30000	600
140053284	LEDDownlightRc-ESII S150-12W-3000-WH-NV	12	0.50	810	68	no	80	100	3000	30000	600
140053285	LEDDownlightRc-ESII S150-12W-4000-WH-NV	12	0.50	850	71	110	80	100	4000	30000	600
140053286	LEDDownlightRc-ESII S150-12W-6000-WH-NV	12	0.50	850	71	no	80	100	6000	30000	600
140053287	LEDDownlightRc-ESII S200-18W-3000-WH-NV	18	0.50	1250	69	no	80	155	3000	30000	600
140053288	LEDDownlightRc-ESII S200-18W-4000-WH-NV	18	0.50	1300	72	110	80	155	4000	30000	600
140053289	LEDDownlightRc-ESII S200-18W-6000-WH-NV	18	0.50	1300	72	no	80	155	6000	30000	600
140053290	LEDDownlightRc-ESII S200-24W-3000-WH-NV	24	0.50	1620	68	110	80	190	3000	30000	600
140053291	LEDDownlightRc-ESII S200-24W-4000-WH-NV	24	0.50	1700	71	110	80	190	4000	30000	600
140053292	LEDDownlightRc-ESII S200-24W-6000-WH-NV	24	0.50	1700	71	110	80	190	6000	30000	600

Item Code	Item Description	Power (W)	Power Factor	Lumen (lm)	Efficacy (lm/W)	Input Current (mA)	CRI	Rated Current (mA)	CCT (K)	Lifetime (L70B50)	MOQ (pcs)
140058004	LEDDownlightSm-ESII R100 WH-GP	/	/	/	/	/	/	/	/	/	1000
140058005	LEDDownlightSm-ESII R150 WH-GP	/	/	/	/	/	/	/	/	/	1000
140058006	LEDDownlightSm-ESII R200 WH-GP	/	/	/	/	/	/	/	/	/	1000
140058007	LEDDownlightSm-ESII S100 WH-GP	/	/	/	/	/	/	/	/	/	1000
140058008	LEDDownlightSm-ESII S150 WH-GP	/	/	/	/	/	/	/	/	/	1000
140058009	LEDDownlightSm-ESII S200 WH-GP	/	/	/	/	/	/	/	/	/	1000

Technical Specifications	
On / Off Cycles	50,000
Colour Consistency (SDCM)	6
Dimmable	No
Beam Angle (°)	110
Finishing Colour	White
IP	IP44, IP20 for recessed parts
Driver Integrated (Yes/No)	YES
Glow Wire Test	650°C
Driver Failure Rate	1%at 5000h
Weight (kg/pc)	0.13/0.23/0.41/0.41/0.15 0.24/0.51/0.51

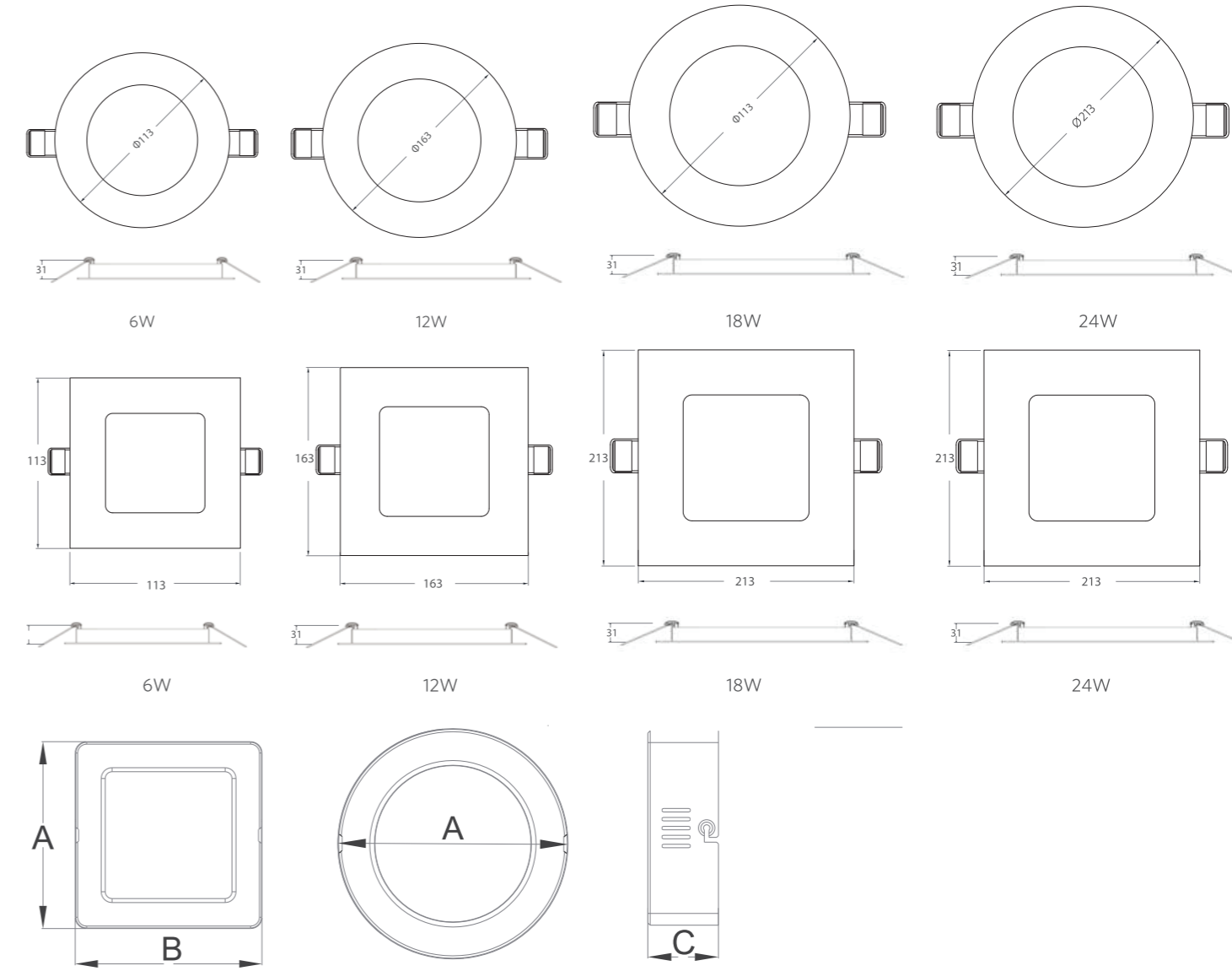
Electrical Supply	
Frequency (Hz)	50/60
Voltage (V)	220-240
AC/DC	AC
Mechanical Properties	
Optical Material	Metal
Housing Material	PMMA
Application Conditions	
Operating Temperature	-10~40°C
Application Temperature	25°C
Storage Environment	-25~50°C

CE CB



Item Code	Item Description	Single Box(1pc/box)		Outer box		
		Dimensions(mm) (LxWxH)	Gross Weight (kg)	Dimensions(mm) (LxWxH)	Gross Weight (kg)	Packing Qty (pcs/CTN)
140058004	LEDDownlightSm-ESII R100 WH-GP	120*120*63	0.173	620*500*410	20.76	120
140058005	LEDDownlightSm-ESII R150 WH-GP	170*170*63	0.261	700*530*410	18.792	72
140058006	LEDDownlightSm-ESII R200 WH-GP	220*220*63	0.369	680*500*410	13.284	36
140058007	LEDDownlightSm-ESII S100 WH-GP	120*120*63	0.191	620*500*410	22.92	120
140058008	LEDDownlightSm-ESII S150 WH-GP	170*170*63	0.297	700*530*410	21.384	72
140058009	LEDDownlightSm-ESII S200 WH-GP	220*220*63	0.433	680*500*410	15.588	36

Dimensional Drawing



Type	A(mm)	B(mm)	C(mm)
LEDDL-Sm-ESII R100-WH-GP	115	/	60
LEDDL-Sm-ESII R150-WH-GP	165	/	60
LEDDL-Sm-ESII R200-WH-GP	215	/	60
LEDDL-Sm-ESII S100-WH-GP	115	115	60
LEDDL-Sm-ESII S150-WH-GP	165	165	60
LEDDL-Sm-ESII S200-WH-GP	215	215	60

Packaging Information

Item Code	Item Description	Single Box(1pc/box)		Outer box		
		Dimensions(mm) (LxWxH)	Gross Weight (kg)	Dimensions(mm) (LxWxH)	Gross Weight (kg)	Packing Qty (pcs/CTN)
140053269	LEDDownlightRc-ESII R100-6W-3000-WH-NV	132*132*55	0.21	303*282*308	4.16	20
140053270	LEDDownlightRc-ESII R100-6W-4000-WH-NV	132*132*55	0.21	303*282*308	4.16	20
140053271	LEDDownlightRc-ESII R100-6W-6000-WH-NV	132*132*55	0.21	303*282*308	4.16	20
140053272	LEDDownlightRc-ESII R150-12W-3000-WH-NV	190*190*53	0.41	571*212*213	4.14	10
140053273	LEDDownlightRc-ESII R150-12W-4000-WH-NV	190*190*53	0.41	571*212*213	4.14	10
140053274	LEDDownlightRc-ESII R150-12W-6000-WH-NV	190*190*53	0.41	571*212*213	4.14	10
140053275	LEDDownlightRc-ESII R200-18W-3000-WH-NV	248*248*55	0.67	591*273*271	6.69	10
140053276	LEDDownlightRc-ESII R200-18W-4000-WH-NV	248*248*55	0.67	591*273*271	6.69	10
140053277	LEDDownlightRc-ESII R200-18W-6000-WH-NV	248*248*55	0.67	591*273*271	6.69	10
140053278	LEDDownlightRc-ESII R200-24W-3000-WH-NV	248*248*55	0.67	591*273*271	6.69	10
140053279	LEDDownlightRc-ESII R200-24W-4000-WH-NV	248*248*55	0.67	591*273*271	6.69	10
140053280	LEDDownlightRc-ESII R200-24W-6000-WH-NV	248*248*55	0.67	591*273*271	6.69	10
140053281	LEDDownlightRc-ESII S100-6W-3000-WH-NV	150*150*55	0.23	335*317*308	4.56	20
140053282	LEDDownlightRc-ESII S100-6W-4000-WH-NV	150*150*55	0.23	335*317*308	4.56	20
140053283	LEDDownlightRc-ESII S100-6W-6000-WH-NV	150*150*55	0.23	335*317*308	4.56	20
140053284	LEDDownlightRc-ESII S150-12W-3000-WH-NV	210*210*53	0.42	570*233*231	4.21	10
140053285	LEDDownlightRc-ESII S150-12W-4000-WH-NV	210*210*53	0.42	570*233*231	4.21	10
140053286	LEDDownlightRc-ESII S150-12W-6000-WH-NV	210*210*53	0.42	570*233*231	4.21	10
140053287	LEDDownlightRc-ESII S200-18W-3000-WH-NV	273*273*55	0.77	590*296*294	7.68	10
140053288	LEDDownlightRc-ESII S200-18W-4000-WH-NV	273*273*55	0.77	590*296*294	7.68	10
140053289	LEDDownlightRc-ESII S200-18W-6000-WH-NV	273*273*55	0.77	590*296*294	7.68	10
140053290	LEDDownlightRc-ESII S200-24W-3000-WH-NV	273*273*55	0.77	590*296*294	7.68	10
140053291	LEDDownlightRc-ESII S200-24W-4000-WH-NV	273*273*55	0.77	590*296*294	7.68	10
140053292	LEDDownlightRc-ESII S200-24W-6000-WH-NV	273*273*55	0.77	590*296*294	7.68	10