

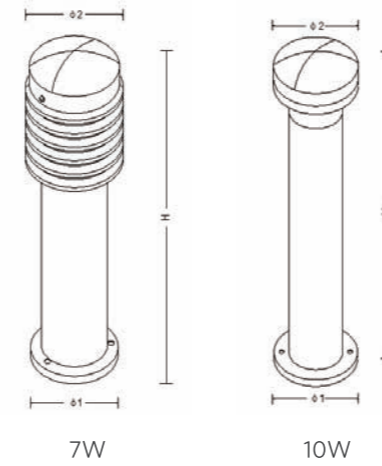


LED Outdoor Bollard Ecomax

### Packaging Information

Item		Single Box(1pc/box)		Packaging Unit		
Item Code	Item Description	Dimensions(mm) (LxWxH)	Gross Weight (kg)	Dimensions(mm) (LxWxH)	Gross Weight (kg)	Packing Qty (pcs/unit)
543012001210	LED Bollard-E1 H500 7W 3000-BK-GP	165*165*720	2.3	745*520*350	15.6	6
543012001710	LED Bollard-E1 H500 7W 4000-BK-GP	165*165*720	2.3	745*520*350	15.6	6
543012001610	LED Bollard-E1 H500 7W 5000-BK-GP	165*165*720	2.3	745*520*350	15.6	6
543012001310	LED Bollard-E2 H500 10W 3000-BK-GP	140*140*620	1.3	645*445*300	9.3	6
543012001510	LED Bollard-E2 H500 10W 4000-BK-GP	140*140*620	1.3	645*445*300	9.3	6
543012001410	LED Bollard-E2 H500 10W 5000-BK-GP	140*140*620	1.3	645*445*300	9.3	6

### Dimensional Drawing



Model	Φ1(mm)	Φ2(mm)	H(mm)
LED OB-E1 7W	140	150	500
LED OB-E2 10W	120	120	500

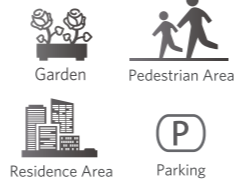
### Features

- Wide applicable voltage
- Flicker Free, anti-glare
- Easy Installation

### Benefits

- Safe for outdoor use, weather resistant
- Long life up to 25000h
- Soft light, Comfortable vision

### Application



### Specification

Item Code	Item Description	Power (W)	Power Factor	Lumen (lm)	Input Current (mA)	Lifetime (L70B50)	MOQ (pcs)
543012001210	LED Bollard-E1 H500 7W 3000-BK-GP	7	0.5	145	43	25000	100
543012001710	LED Bollard-E1 H500 7W 4000-BK-GP	7	0.5	145	43	25000	100
543012001610	LED Bollard-E1 H500 7W 5000-BK-GP	7	0.5	145	43	25000	100
543012001310	LED Bollard-E2 H500 10W 3000-BK-GP	10	0.5	480	62	25000	100
543012001510	LED Bollard-E2 H500 10W 4000-BK-GP	10	0.5	480	62	25000	100
543012001410	LED Bollard-E2 H500 10W 5000-BK-GP	10	0.5	480	62	25000	100

Technical Specifications	
CRI	≥ 80
Colour Consistency (SDCM)	7
Dimmable	No
Housing Colour	Black
IP	IP54
Driver integrated (Yes/No)	Yes
Glow wire test	650°C
Driver failure rate	1% at 5000h
Weight (kg/pc)	1.66/0.96

Electrical Supply	
Frequency (Hz)	50/60
Voltage (V)	100-240
AC/DC	AC

Mechanical Properties	
Housing Material	Stainless Steel
Optical Material	PC

Application Conditions	
Operating Temperature	-25-45°C
Application Temperature	25°C
Storage Environment	-30-65°C