



## LED Bulkhead EcoMax

### Features

- Up to 100lm/W, 30Khrs lifespan
- IP65 protection rating, IK08 anti-shock rating
- Surge protection up to 2.5KV

### Benefits

- Outstanding waterproof design, adaptable in rough environment
- Up to 90% energy saving comparing to conventional wall lamp
- Impact resistant, long life, low maintenance cost

### Application

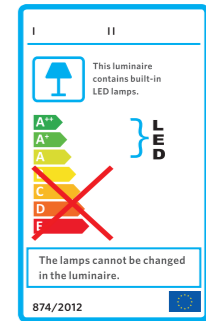


### Specification

Item Code	Item Description	Power (W)	Power Factor	Lumen (lm)	Efficacy (lm/W)	Input Current (mA)	Lifetime (L70B50)	MOQ (pcs)
543022000310	LED bulkhead-E 6.5W-3000-FR-GP	6.5	0.9	553	85	33	30000	1000
543022000410	LED bulkhead-E 6.5W-4000-FR-GP	6.5	0.9	650	100	33	30000	1000
543022000510	LED bulkhead-E 6.5W-6500-FR-GP	6.5	0.9	650	100	33	30000	1000
543022000610	LED bulkhead-E 13W-3000-FR-GP	13	0.9	1105	85	66	30000	1000
543022000710	LED bulkhead-E 13W-4000-FR-GP	13	0.9	1300	100	66	30000	1000
543022000810	LED bulkhead-E 13W-6500-FR-GP	13	0.9	1300	100	66	30000	1000
543022004410	LED bulkhead-E 6.5W-3000-FR-GP-WH	6.5	0.9	553	85	33	30000	1000
543022004310	LED bulkhead-E 6.5W-4000-FR-GP-WH	6.5	0.9	650	100	33	30000	1000
543022004510	LED bulkhead-E 6.5W-6500-FR-GP-WH	6.5	0.9	650	100	33	30000	1000
543022004610	LED bulkhead-E 13W-3000-FR-GP-WH	13	0.9	1105	85	66	30000	1000
543022004710	LED bulkhead-E 13W-4000-FR-GP-WH	13	0.9	1300	100	66	30000	1000
543022004810	LED bulkhead-E 13W-6500-FR-GP-WH	13	0.9	1300	100	66	30000	1000
543011000710	LED bulkhead-E 20W-3000-FR-GP	20	0.9	1700	85	101	30000	1000
543011000810	LED bulkhead-E 20W-4000-FR-GP	20	0.9	2000	100	101	30000	1000
543011000910	LED bulkhead-E 20W-6500-FR-GP	20	0.9	2000	100	101	30000	1000
543011001010	LED bulkhead-E 30W-3000-FR-GP	30	0.9	2550	85	151	30000	1000
543011001110	LED bulkhead-E 30W-4000-FR-GP	30	0.9	3000	100	151	30000	1000
543011001210	LED bulkhead-E 30W-6500-FR-GP	30	0.9	3000	100	151	30000	1000
543011002210	LED bulkhead-E 20W-3000-FR-GP-WH	20	0.9	1700	85	101	30000	1000
543011002310	LED bulkhead-E 20W-4000-FR-GP-WH	20	0.9	2000	100	101	30000	1000
543011002410	LED bulkhead-E 20W-6500-FR-GP-WH	20	0.9	2000	100	101	30000	1000
543011002510	LED bulkhead-E 30W-3000-FR-GP-WH	30	0.9	2550	85	151	30000	1000
543011002610	LED bulkhead-E 30W-4000-FR-GP-WH	30	0.9	3000	100	151	30000	1000
543011002710	LED bulkhead-E 30W-6500-FR-GP-WH	30	0.9	3000	100	151	30000	1000

Technical Specifications	
CRI	≥80
Colour Consistency (SDCM)	6
Dimmable	No
Housing Colour	White
IP	IP65
IK	IK08
Driver integrated (Yes/No)	Yes
Glow wire test	650°C
Driver failure rate	1% at 5000h
Weight (kg/pc)	0.24/0.29/0.44/0.69

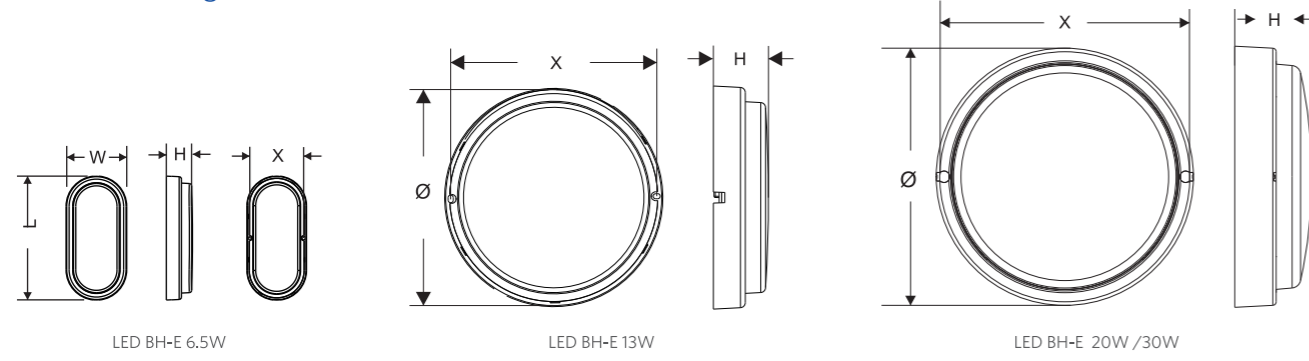
Electrical Supply	
Frequency (Hz)	50/60
Voltage (V)	220-240
AC/DC	AC
Mechanical Properties	
Housing Material	PC
Optical Material	PC
Application Conditions	
Operating Temperature	-25-45°C
Storage Environment	-25-65°C



### Packaging Information

Item Code	Item Description	Single Box(1pc/box)		Packaging Unit		
		Dimensions(mm) (LxWxH)	Gross Weight (kg)	Dimensions(mm) (LxWxH)	Gross Weight (kg)	Packaging Qty (pcs/unit)
543022000310	LED bulkhead-E 6.5W-3000-FR-GP	210*105*51	0.28	695*330*275	12.78	45
543022000410	LED bulkhead-E 6.5W-4000-FR-GP	210*105*51	0.28	695*330*275	12.78	45
543022000510	LED bulkhead-E 6.5W-6500-FR-GP	210*105*51	0.28	695*330*275	12.78	45
543022000610	LED bulkhead-E 13W-3000-FR-GP	180*180*51	0.34	965*375*275	16.75	50
543022000710	LED bulkhead-E 13W-4000-FR-GP	180*180*51	0.34	965*375*275	16.75	50
543022000810	LED bulkhead-E 13W-6500-FR-GP	180*180*51	0.34	965*375*275	16.75	50
543022004410	LED bulkhead-E 6.5W-3000-FR-GP-WH	210*105*51	0.28	695*330*275	12.78	45
543022004310	LED bulkhead-E 6.5W-4000-FR-GP-WH	210*105*51	0.28	695*330*275	12.78	45
543022004510	LED bulkhead-E 6.5W-6500-FR-GP-WH	210*105*51	0.28	695*330*275	12.78	45
543022004610	LED bulkhead-E 13W-3000-FR-GP-WH	180*180*51	0.34	965*375*275	16.75	50
543022004710	LED bulkhead-E 13W-4000-FR-GP-WH	180*180*51	0.34	965*375*275	16.75	50
543022004810	LED bulkhead-E 13W-6500-FR-GP-WH	180*180*51	0.34	965*375*275	16.75	50
543011000710	LED bulkhead-E 20W-3000-FR-GP	225*70*225	0.58	750*240*250	5.79	10
543011000810	LED bulkhead-E 20W-4000-FR-GP	225*70*225	0.58	750*240*250	5.79	10
543011000910	LED bulkhead-E 20W-6500-FR-GP	225*70*225	0.58	750*240*250	5.79	10
543011001010	LED bulkhead-E 30W-3000-FR-GP	285*76*285	0.88	809*300*310	8.82	10
543011001110	LED bulkhead-E 30W-4000-FR-GP	285*76*285	0.88	809*300*310	8.82	10
543011001210	LED bulkhead-E 30W-6500-FR-GP	285*76*285	0.88	809*300*310	8.82	10
543011002210	LED bulkhead-E 20W-3000-FR-GP-WH	225*70*225	0.58	750*240*250	5.79	10
543011002310	LED bulkhead-E 20W-4000-FR-GP-WH	225*70*225	0.58	750*240*250	5.79	10
543011002410	LED bulkhead-E 20W-6500-FR-GP-WH	225*70*225	0.58	750*240*250	5.79	10
543011002510	LED bulkhead-E 30W-3000-FR-GP-WH	285*76*285	0.58	809*300*310	8.82	10
543011002610	LED bulkhead-E 30W-4000-FR-GP-WH	285*76*285	0.58	809*300*310	8.82	10
543011002710	LED bulkhead-E 30W-6500-FR-GP-WH	285*76*285	0.58	809*300*310	8.82	10

## Dimensional Drawing



Model	L (mm)	W (mm)	Ø (mm)	H (mm)	X (mm)
LED BH-E 6.5W	205	100	/	43	88
LED BH-E 13W	/	/	Φ175	43	160
LED BH-E 20W	/	/	Φ220	65	204
LED BH-E 30W	/	/	Φ280	71	263

## Photometric Data

