

PROFESSIONAL POWER TOOLS
BENCH SAW

POWERFUL ● DURABLE ● PROFESSIONAL



Item No.
TS2006

200MM TABLE SAW

Voltage/Frequency: 230/110V~50/60Hz
 Input Power: 800W
 No Load Speed: 2950/4500min⁻¹
 Dia. of Blade: 200mm
 Table Size: 500x335mm
 Max Cutting Depth: 43mm(90°) 35mm(45°)

Meas: 53x34.5x35cm/1pc
 G.W/N.W: 13/14.5kgs
 Quantity 20ft: 408pcs

Item No.
TS250G

250MM TABLE SAW

Voltage/Frequency: 230/110V~50/60Hz
 Input power: 1500W S1 2200W S6
 No load speed: 4800min⁻¹
 Dia. Of blade: 250mm
 Cutting depth: 73mm(90°) 48mm(45°)
 Table size: 626x445mm
 max working table: 620x250mm

Meas: 73x62x36.5cm/1pc
 G.W/N.W: 26.5/23.5kgs
 Quantity 20ft: 160pcs



Item No.
TS2005

205MM TABLE SAW

Voltage/Frequency: 230/110V~50/60Hz
 Input Power: 1000W
 No Load Speed: 2950min⁻¹
 Dia. of Blade: 205mm
 Table Size: 513x453(640)mm
 Max Cutting Depth: 43mm(90°) 36mm(45°)

Meas: 58x54.8x34.5cm/1pc
 G.W/N.W: 25/22kgs
 Quantity 20ft: 240pcs



Item No.
TS012

305MM TABLE SAW

Voltage/Frequency: 230/110V~50/60Hz
 Input Power: 2200W -S3/20%
 Blade Speed: 2800/3450min⁻¹
 Dia. of Blade: 305mm
 Cutting Depth: 82mm(90°), 58mm(45°)
 Table Size: 800x550mm
 Extension Table: 800x400mm

Meas: 86x60x47cm/1pc
 G.W/N.W: 61/58kgs
 Quantity 20ft: 120pcs



Main Aluminium Die Casting Table Top
With Right And Rear Extension Tables
With Left Sliding Table
Foldable Stand With Wheels, With Dust Bag
With Fence, Miter Gauge, Blade, Push Sticker Storage
With Miter Gauge, With Battery Laser
High Quality Ripfence Locks From Front & Rear
Up And Down Torsion System For Precision Cutting

Item No.
TS2512

250MM TABLE SAW WITH FOLDABLE STAND

Voltage/Frequency: 230/110V~50/60Hz
Input Power: 1500W
No Load Speed: 4500min⁻¹
Dia Of Blade: 250mm
Depth Of Cut At 90°: 80mm
Depth Of Cut At 45°: 55mm

Meas: 80x30x33cm/1pc
G.W/N.W: 23/20kgs
Quantity 20ft: 648pcs

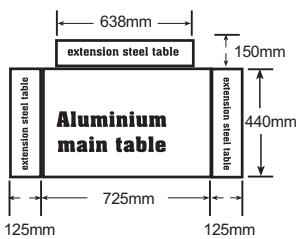


Item No.
TS25402

254MM TABLE SAW

Voltage/Frequency: 230/110V~50/60Hz
Input power: 1800W
No load speed: 4800min⁻¹
Dia. Of blade: 254mm
Table size: 640x485mm
Max Cutting depth: 85mm(90°) 60mm(45°)

Meas: 69.5x55.5x32.5cm/1pc
G.W/N.W: 25/22.5kgs
Quantity 20ft: 220pcs



Item No.
TS2551

250MM TABLE SAW

Voltage/Frequency: 120V~60Hz
Input Power: 1500W
No Load Speed: 4500min⁻¹
Dia. of Blade: 250mm
Table Size: 650x520mm
Max Cutting Depth: 80mm(90°) 55mm(45°)

Meas: 100x61x37cm/1pc
G.W/N.W: 45/40kgs
Quantity 20ft: 120pcs



Item No.
TS250F

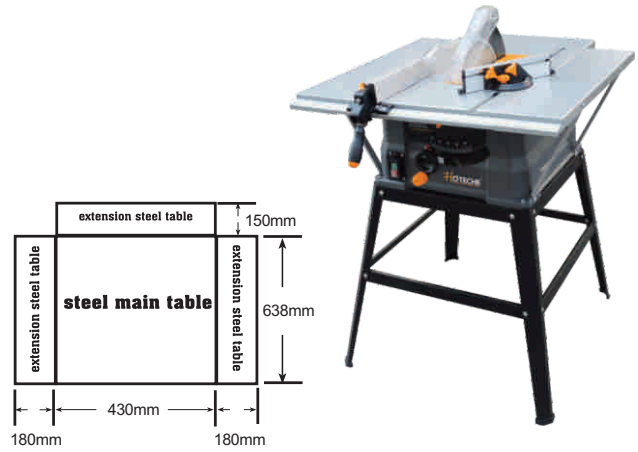
250MM TABLE SAW

Voltage/Frequency: 230/110V~50/60Hz
Input power: 2200W S6
No load speed: 4800min⁻¹
Dia. Of blade: 250mm
Cutting depth: 73mm(90°) 48mm(45°)
Table size: 626x445mm
max working table: 620x250mm

Meas: 73x62x36.5cm/1pc
G.W/N.W: 26.5/23.5kgs
Quantity 20ft: 160pcs

PROFESSIONAL POWER TOOLS
BENCH SAW

POWERFUL ● DURABLE ● PROFESSIONAL



Item No.
TS015

254MM TABLE SAW

Voltage/Frequency:230/110V~50/60Hz
Input Power:1500W/12A
No Load Speed:4800min⁻¹
Dia. of Blade:254mm
Table Size:960x925mm
Max Cutting Depth:75mm(90°) 63mm(45°)

Meas: 67x53.5x30.5cm/1pc
G.W/N.W: 32/30kgs
Quantity 20ft: 225pcs

Item No.
TS2555

255MM TABLE SAW

Voltage/Frequency:230/110V~50/60Hz
Input Power:1500W
No Load Speed:4500min⁻¹
Dia. of Blade:255mm
Table Size:430x638mm
Max Cutting Depth:80mm(90°) 55mm(45°)

Meas:73x62x37cm/1pc
G.W/N.W: 30/27kgs
Quantity 20ft: 162pcs



Item No.
TS25401

254MM TABLE SAW

Voltage/Frequency: 230/110V~50/60Hz
Input power:1600W
No load speed:4800min⁻¹
Dia. Of blade:254mm
Table size:640x485mm
Max Cutting depth:80mm(90°) 50mm(45°)

Meas:79x73x50cm/1pc
G.W/N.W:35/30.6kgs
Quantity 20ft:90pcs



Item No.
TS2557

255MM TABLE SAW

Voltage/Frequency:230/110V~50/60Hz
Input Power:1500W/15A
No Load Speed:3400min⁻¹
Dia. of Blade:255mm
Table Size:685x514mm
Max Cutting Depth:80mm(90°) 57mm(45°)

Meas:93x55x46cm/1pc
G.W/N.W: 106/101kgs
Quantity 20ft: 48pcs



Item No.
TS2552

254MM TABLE SAW

Voltage/Frequency:230/110V~50/60Hz
Input Power:1500W
No Load Speed:4500min⁻¹
Dia. of Blade:254mm
Cutting Depth:85mm(90°),60mm(45°)
Table Size:430x638mm
Extension Table:638x150mm

Meas:72x60.5x32.5cm/1pc
G.W/N.W: 27/24.6kgs
Quantity 20ft: 162pcs



Item No.
TS25516

255MM TABLE SAW

Voltage/Frequency:230/110V~50/60Hz
Input Power:1800W
No Load Speed:5500min⁻¹
Dia. of Blade:255mm
Cutting Depth:85mm(90°), 65mm(45°)
Table Size:642x478mm
Extension Table:642x226mmx2pcs

Meas:71x56x32cm/1pc
G.W/N.W: 25/23kgs
Quantity 20ft: 224pcs



Cast Iron Main Table
With Left & Right Extension Tables
Double Locking Rip Fence
Strong And Long AL Extrusion Front & Rear Rail
With Mobile Base
With Rip Fence Storage
With Cable Storage
With Miter Gauge Storage
With Blade Guard Storage

Item No.
TS25514

254MM TABLE SAW

Voltage/Frequency:230/110V~50/60Hz
Input Power:1500W
No Load Speed:3550min⁻¹
Dia Of Blade:254mm
Depth Of Cut At 90°:80mm
Depth Of Cut At 45°:57mm
Table Size:685x512mm
Left&Right Extension Table Size:252x685mm

Meas:114x75x57cm/1pc
G.W/N.W: 135/127kgs
Quantity 20ft: 60pcs



Main AL Die Casting Table Top
With Left Sliding Table
Foldable Stand With Wheels
With Dust Bag
With Fence, Miter Gauge, Blade, Push Sticker Storage
With Miter Gauge
With Battery Laser
High Quality Rip Fence Locks From Front & Rear
Up and Down Torsion System For Precision Cutting

Item No.
TS25513

250MM TABLE SAW WITH FOLDABLE STAND

Voltage/Frequency:230/110V~50/60Hz
Input Power:1800W
No Load Speed:4500min⁻¹
Dia Of Dia. of Blade:250mm
Depth Of Cut At:90°82mm 45°58mm
Main working table:580x640mm
Extend working Table:145x640mm

Meas: 80x76x42cm/1pcs
G.W/N.W: 35/32kgs
Quantity 20ft: 100pcs

PROFESSIONAL POWER TOOLS
BENCH SAW

POWERFUL ● DURABLE ● PROFESSIONAL



Item No.
TS25515

305MM TABLE SAW WITH DUST COLLECTOR

Voltage/Frequency:230/110V~50/60Hz
Input Power:2200W -S6/40%
Blade Speed:3000min⁻¹
Dia. of Blade:305mm
Cutting Depth:105mm(90°),70mm(45°)
Table Size:1050x790mm
Extension Table

Meas:84x75x100cm/1pc
G.W/N.W: 164/154kgs
Quantity 20ft: 40pcs



Item No.
TS31501

315MM TABLE SAW

Voltage/Frequency:230/110V~50/60Hz
Input Power:2200W
Blade Speed:2950min⁻¹
Dia. of Blade:315mm
Cutting Depth:85mm(90°),46mm(45°)
Table Size:800x550mm

Meas:86.5x58.5x44cm/1pc
G.W/N.W: 53/48kgs
Quantity 20ft: 125pcs



Item No.
TS25517

255MM TABLE SAW

Voltage/Frequency:230/110V~50/60Hz
Input Power:1800W
Blade Speed:3550min⁻¹
Dia. of Blade:255mm
Cutting Depth:80mm(90°),57mm(45°)
Table Size:512x685mm

Meas:115x75x57cm/1pc
G.W/N.W: 148/136kgs
Quantity 20ft:120pcs



Item No.
TS25510J

255MM TABLE SAW

Voltage/Frequency:230/110V~50/60Hz
Input Power:2300W
No Load Speed:4000min⁻¹
Dia. of Blade:255mm
Cutting Depth:80mm(90°),42mm(45°)
Table Size
Extension Table

Meas:170x75x105cm/1pc
G.W/N.W: 170/219kgs
Quantity 20ft: 20pcs



Item No.
TS25510B

254MM TABLE SAW

Voltage/Frequency:230/110V~50/60Hz
Input Power:3HP
No Load Speed:2800min⁻¹
Dia. of Blade:254mm
Cutting Depth:75mm(90°),60mm(45°)
Table Size:800x560mm
Extension Table:800x305mm

Meas:84x64x61.5cm/1pc
G.W/N.W: 197/177kgs
Quantity 20ft: 66pcs



Item No.
TS018

315MM TABLE SAW

Voltage/Frequency:230/110V~50/60Hz
Input Power:2000W
No Load Speed:2900min⁻¹
Dia. of Blade:315mm
Cutting Depth:85mm(90°),46mm(45°)
Table Size:800x550mm
Extension Table

Meas:86x61x46cm/1pc
G.W/N.W: 58/54kgs
Quantity 20ft: 120pcs



Item No.
TS3051

315MM TABLE SAW

Voltage/Frequency:230/110V~50/60Hz
Input Power:3HP
No Load Speed:2800min⁻¹
Dia. of Blade:315mm
Cutting Depth:100mm(90°),75mm(45°)
Table Size:800x600mm
Extension Table:800x440mm

Meas:82.6x72x62.7cm/1pc
G.W/N.W: 210/190kgs
Quantity 20ft: 41pcs



Item No.
TS4001

400MM TABLE SAW

Voltage/Frequency:230/110V~50/60Hz/380V
Input Power:2200W/3300W
No Load No Load:2950min⁻¹
Dia Of Dia. of Blade:400mm
Depth Of Cut At:120mm(90°) 57mm(45°)
Table Size:100x800mm

Meas: 102x82x57cm/1pcs
G.W/N.W: 86/78kgs
Quantity 20ft: 56pcs